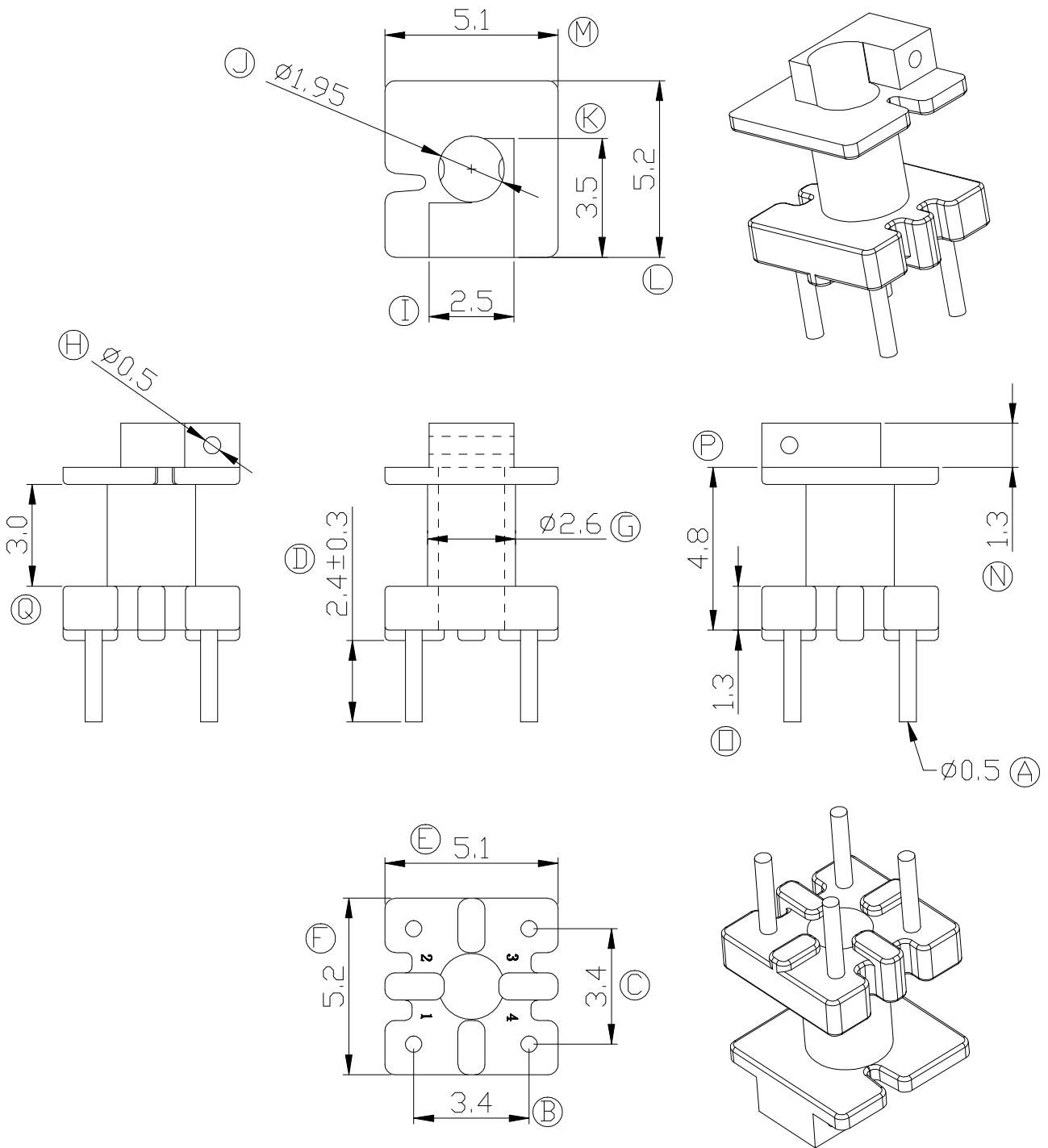


Build up your trust



TITLE: BOBBIN WITH TC BASE (4PIN)

DRAWING NO: GS-402

GEMSTONE 建信電子制品有限公司
GEMSTONE ELECTRONIC PRODUCTS CO., LTD.

ADD: 廣東省東莞市石排鎮石崇大道
TEL: (0769) 86514918, 86514919 FAX: 86514878

TOLERANCES

| | | |
|--------------------------|-----------|------------------------|
| 0 $L \le 4$ | ± 0.1 | PIN PITCH ± 0.2 |
| 4 $L \le 16$ | ± 0.2 | |
| 16 $L \le 63$ | ± 0.3 | |

UNIT: MM SCALE: 6/1

DRAWN: HZP

BOBBIN MATERIAL:
PHENOLIC PM9820

PIN MATERIAL:
CP WIRE

ANGLE: $\pm 1^\circ$ DATE: 2005/7/22

CHECK: XU ZHAN

UL REC.
UL 94V-0

PIN TENSION LOAD:
0.5KG MIN

REV: A0

APPROVED:

| REV. | PORTION. | BEFORE REV. | AFTER REV. |
|------|----------|-------------|------------|
| | | | |
| | | | |
| | | | |