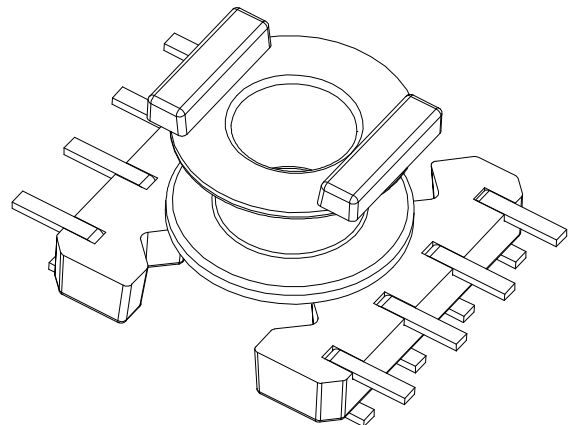
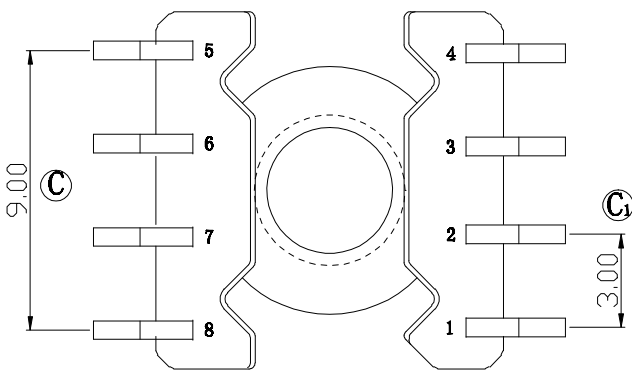
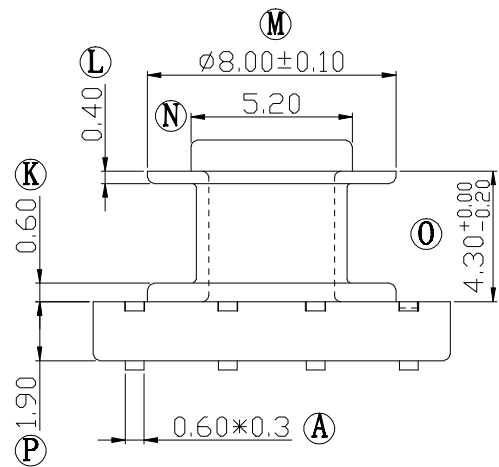
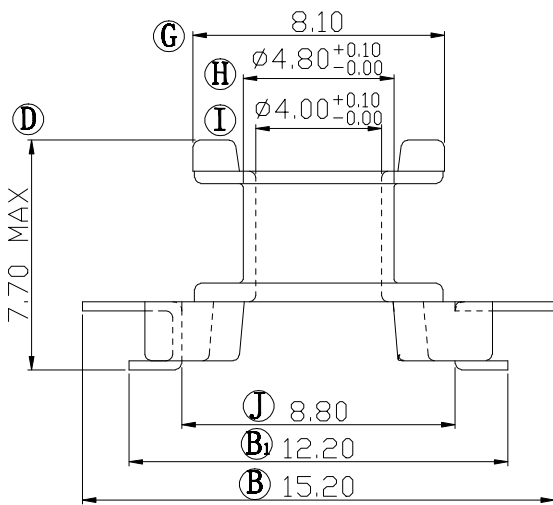
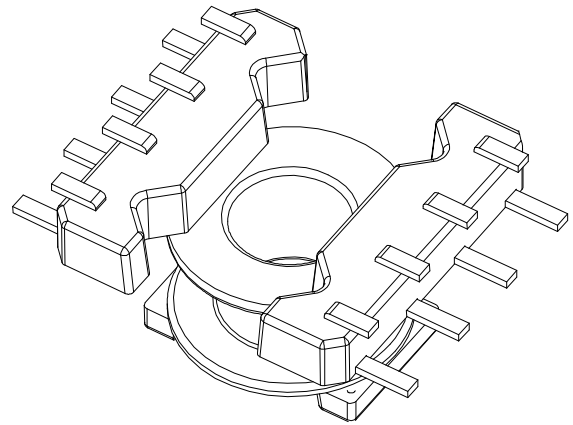
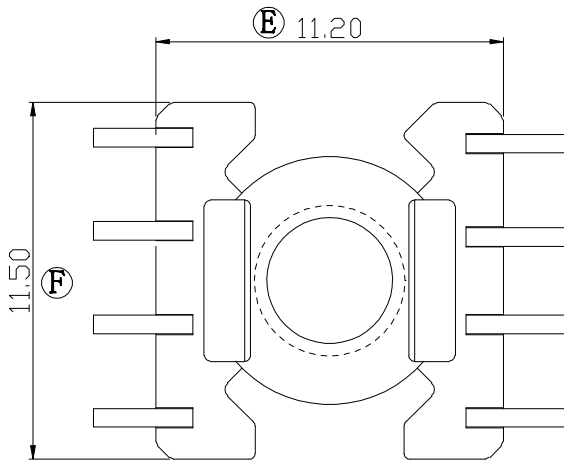


Build up your trust



TITLE: BOBBIN RM4 8PIN

DRAWING NO: GS-403

GEMSTONE 建信電子制品有限公司
GEMSTONE ELECTRONIC PRODUCTS CO., LTD.

ADD: 廣東省東莞市石排鎮石崇大道
TEL: (0769) 86514918, 86514919 FAX: 86514878

TOLERANCES

0 $L \leq 4$	± 0.1	PIN PITCH ± 0.2
4 $L \leq 16$	± 0.2	
16 $L \leq 63$	± 0.3	

UNIT: MM

SCALE: 8/1

DRAWN:

WRZ

BOBBIN MATERIAL:

PHENOLIC PM9630

PIN MATERIAL:

PHOSPHOR BRONZE

ANGLE:

$\pm 1^\circ$

DATE:

2006/09/29

CHECK:

XU ZHAN

UL REC.

UL 94 V-0

PIN TENSION LOAD:

1.5kg MIN

REV:

A0

APPROVED:

AFTER REV.

REV.

PORTION.

BEFORE REV.