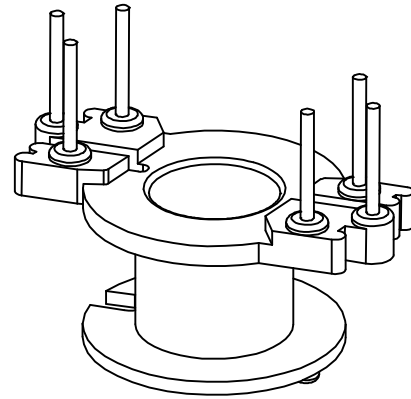
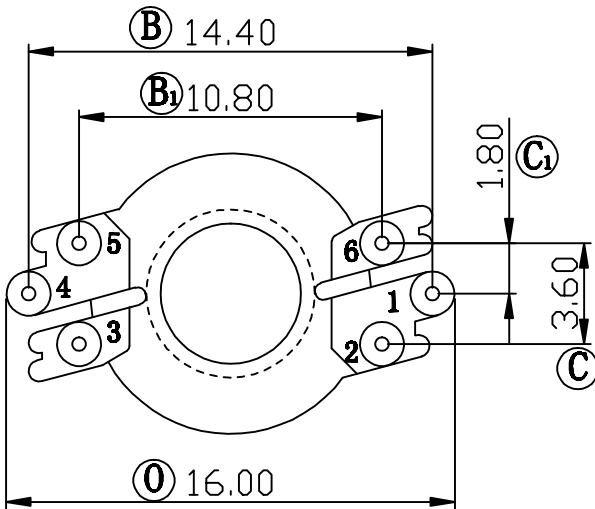
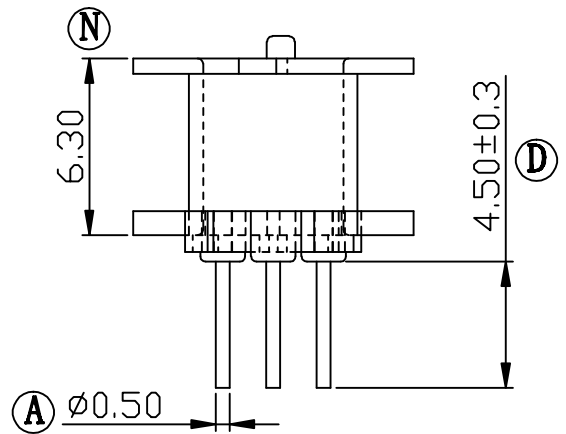
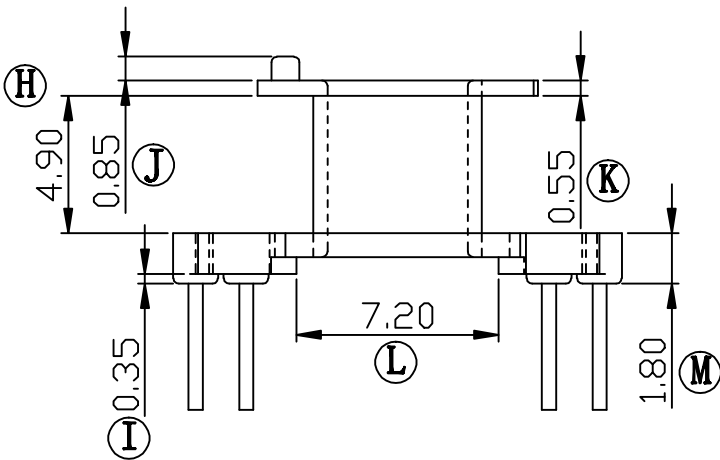
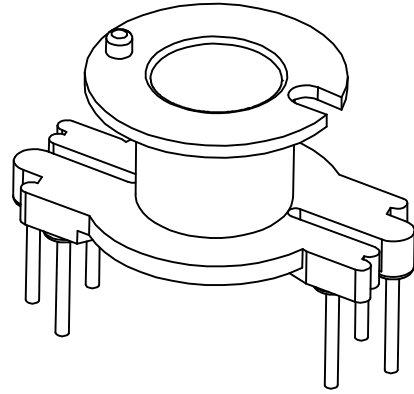
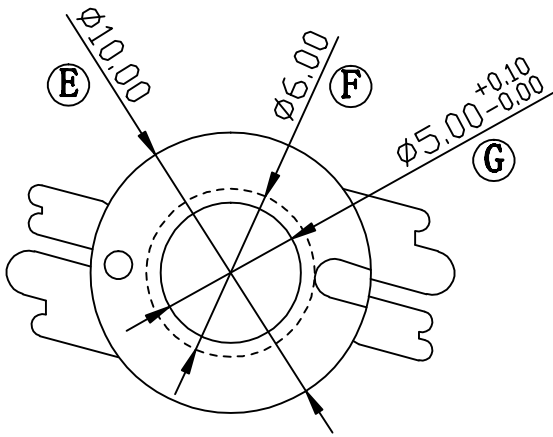


Build up your trust



注：產品頂部缺口方向為第一PIN

TITLE: RM-5 6PIN		TOLERANCES		BOBBIN MATERIAL:		L REC.	
DRAWING NO: GS-0501-1		0_L ≤ 4 ± 0.1		PHENOLIC PM9630		UL 94V-0	
 建信電子制品有限公司 GEMSTONE ELECTRONIC PRODUCTS CO., LTD. ADD: 廣東省東莞市石排鎮石崇大道 TEL: (0769)86514918, 86514919 FAX: 86514878		4_L ≤ 16 ± 0.2		PIN MATERIAL:		PIN TENSION LOAD:	
		16_L ≤ 63 ± 0.3		CP WIRE		1.0KG MIN	
UNIT: MM		SCALE: 3/1		ANGLE: ±1°		DATE: 2009/03/27	
DRAWN: XU ZHAN		CHECK: XU ZHAN		REV: A0		APPROVED:	

REV.	PORTION.	BEFORE REV.	AFTER REV.