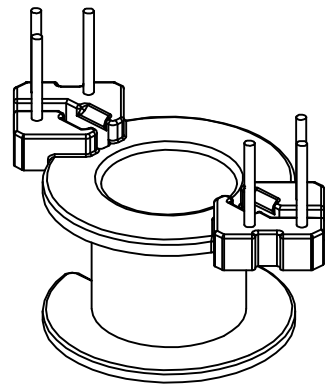
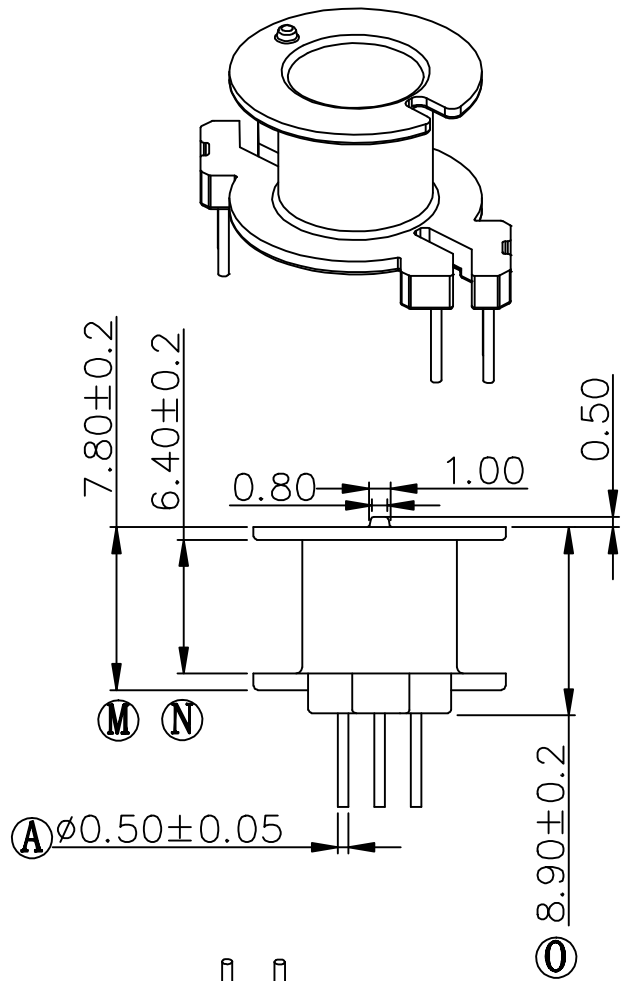
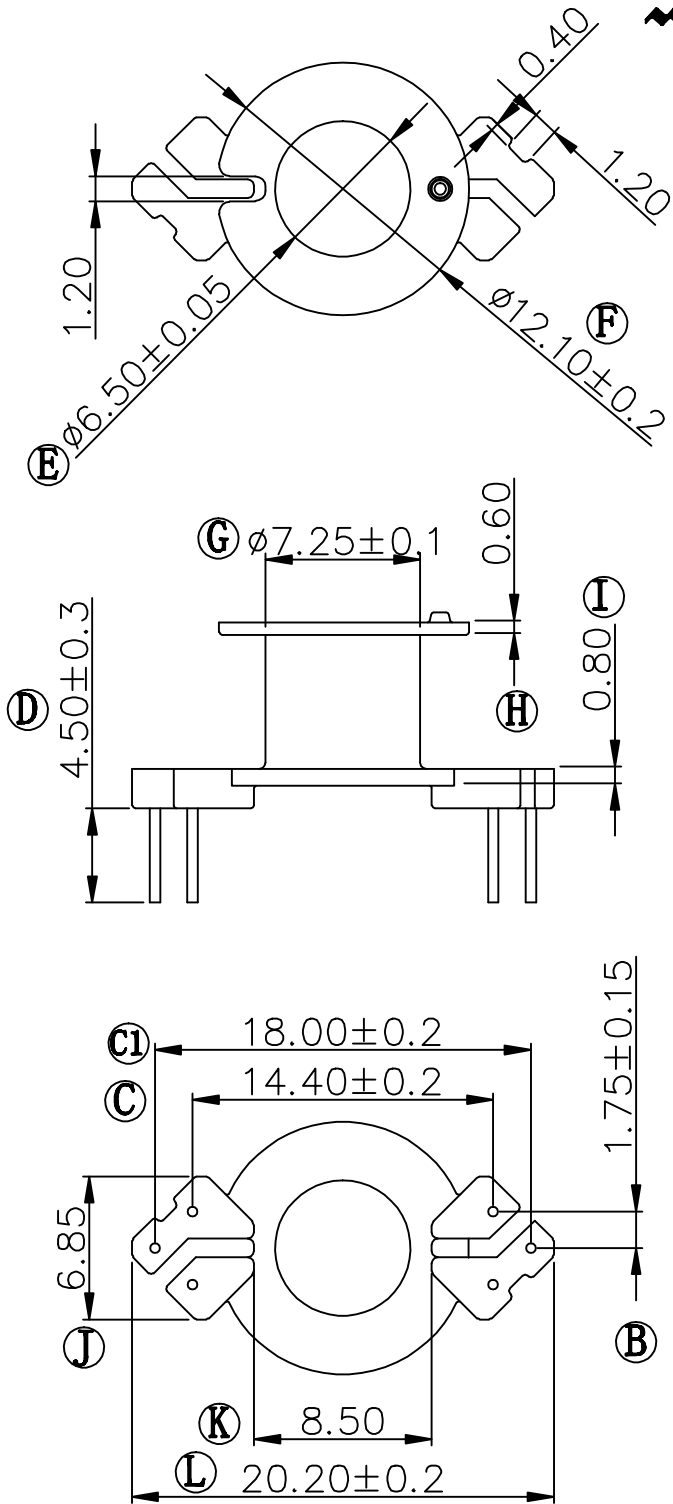


Build up your trust



TITLE: BOBBIN RM-6 6PIN

DRAWING NO: GS-0601

TOLERANCES

$0 < L \leq 4 \pm 0.1$   
 $4 < L \leq 16 \pm 0.2$   
 $16 < L \leq 63 \pm 0.3$

PIN PITCH  
 $\pm 0.2$

BOBBIN MATERIAL:

PM9820

UL REC.

UL 94V-0

PIN MATERIAL:

CP WIRE

PIN TENSION LOAD:

0.8Kg MIN



建信電子制品有限公司

GEMSTONE ELECTRONIC PRODUCTS CO., LTD.

ADD: 廣東省東莞市石排鎮石崇大道

TEL: (0769) 86514918, 86514919 FAX: 86514878

UNIT:

MM

SCALE:

2/1

ANGLE:

$\pm 1^\circ$

DATE:

2010/05/31

REV:

A2

DRAWN:

LW

CHECK:

XU ZHAN

APPROVED:

BEFORE REV.

AFTER REV.