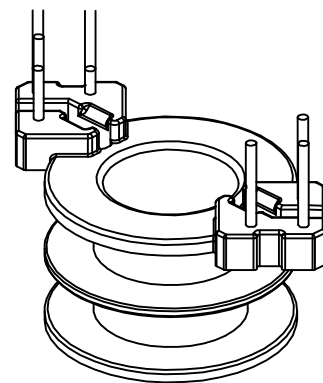
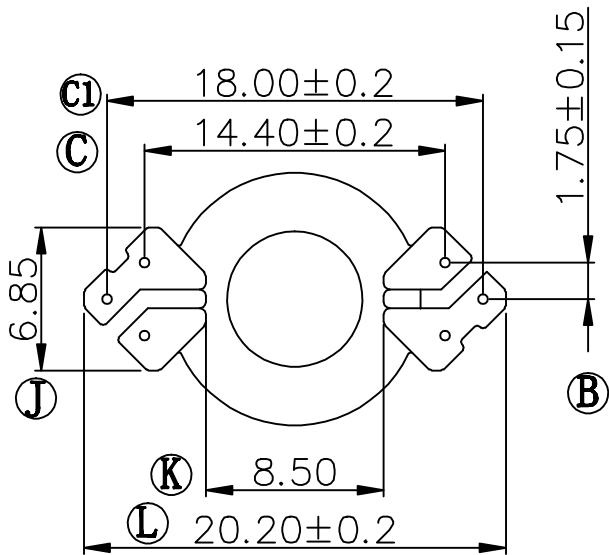
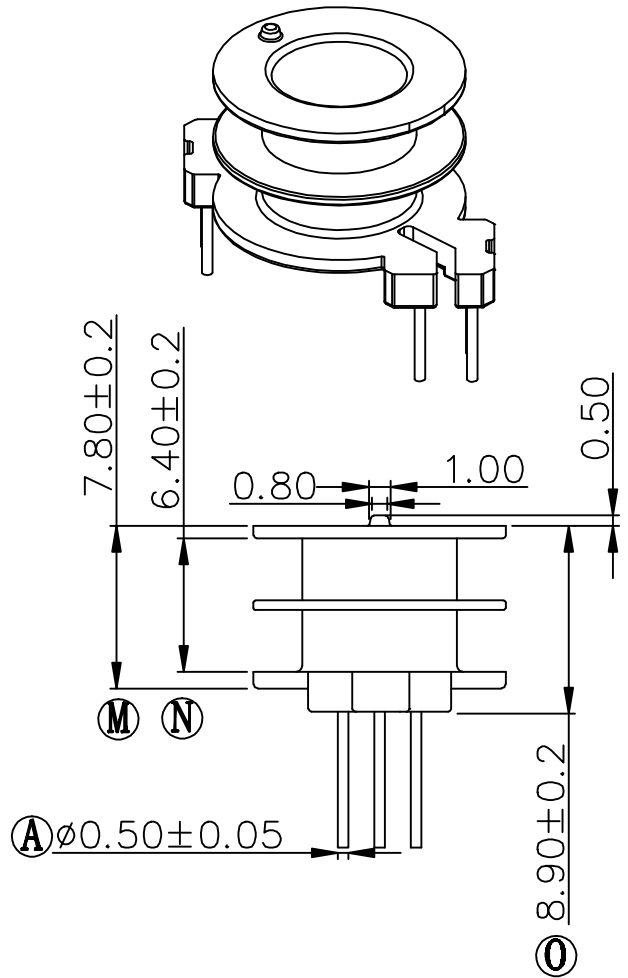
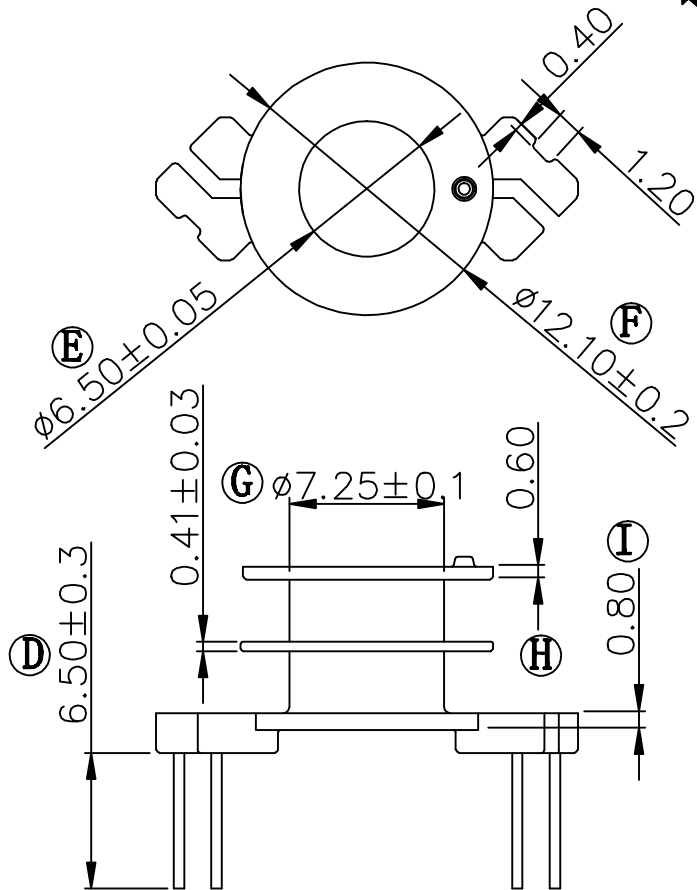


Build up your trust



TITLE: BOBBIN RM-6 6PIN

DRAWING NO: GS-0601-1

TOLERANCES

0$L \le 4$ ± 0.1
4$L \le 16$ ± 0.2
16$L \le 63$ ± 0.3

PIN PITCH
 ± 0.2

BOBBIN MATERIAL:
PM9630

PIN MATERIAL:
CP WIRE

UL REC.

UL 94V-0

PIN TENSION LOAD:
0.8Kg MIN



建信電子制品有限公司

GEMSTONE ELECTRONIC PRODUCTS CO., LTD.

ADD: 廣東省東莞市石排鎮石崇大道

TEL: (0769)86514918, 86514919 FAX:86514878

UNIT:

MM

SCALE:

2/1

ANGLE:

$\pm 1^\circ$

DATE:

2010/05/31

REV:

A0

DRAWN:

LW

CHECK:

XU ZHAN

APPROVED:

BEFORE REV.

AFTER REV.