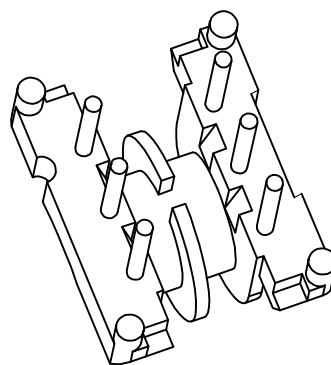
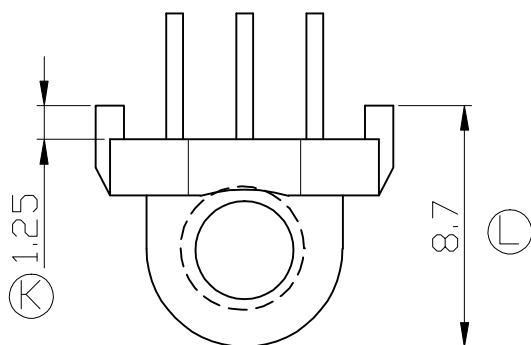
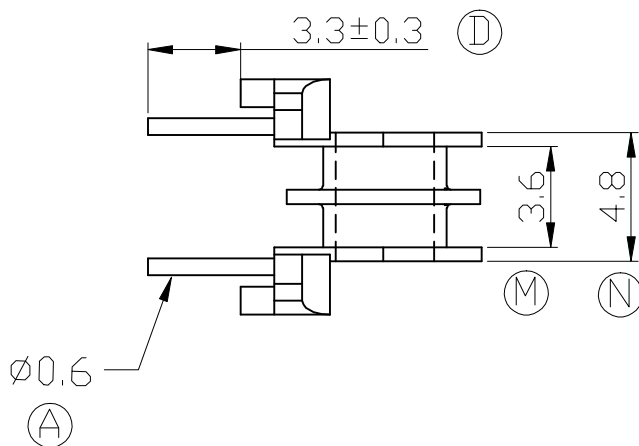
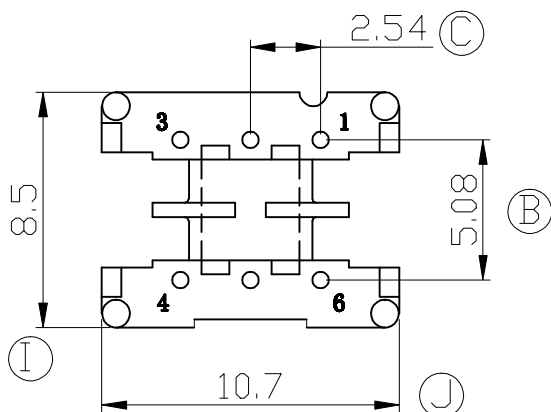
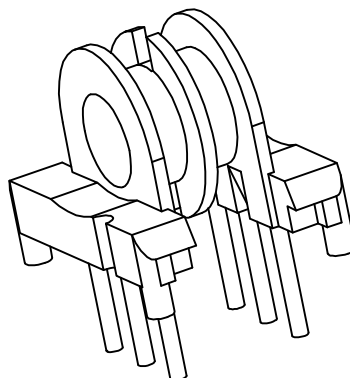
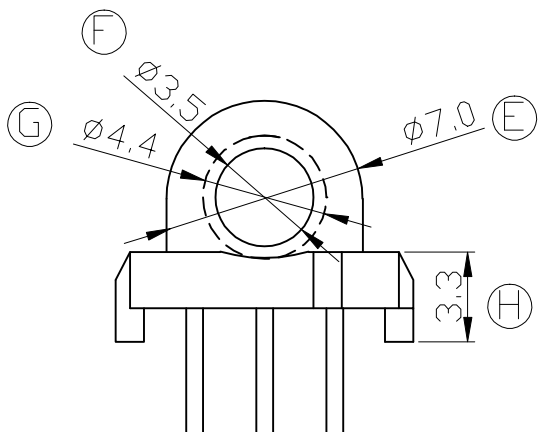


Build up your trust



TITLE: BOBBIN EP-7 (6PIN)		TOLERANCES		BOBBIN MATERIAL: PHENOLIC PM9630		UL REC. UL 94V-0	
DRAWING NO: GS-0701		0<L≤4 ±0.1	PIN PITCH ±0.2	PIN MATERIAL: CP WIRE		PIN TENSION LOAD: 1.0KG MIN	
		4<L≤16 ±0.2					
		16<L≤63 ±0.3					
 建信電子制品有限公司 GEMSTONE ELECTRONIC PRODUCTS CO., LTD. ADD: 廣東省東莞市石排鎮石崇大道 TEL: (0769)86514918, 86514919 FAX:86514878		UNIT: MM	SCALE: 4/1	ANGLE: ±1°	DATE: 2004/8/15	REV: A1	
		DRAWN: XU ZHAN		CHECK: DAVID		APPROVED:	

REV.	PORTION.	BEFORE REV.	AFTER REV.