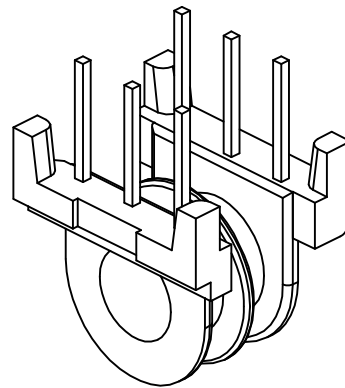
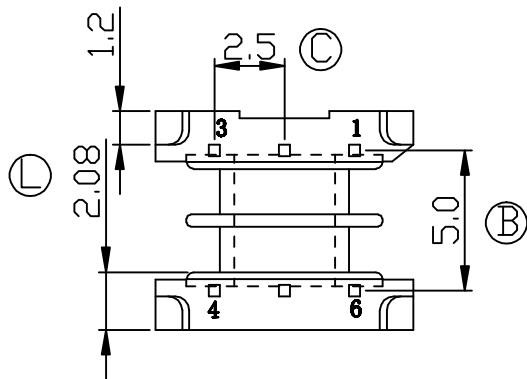
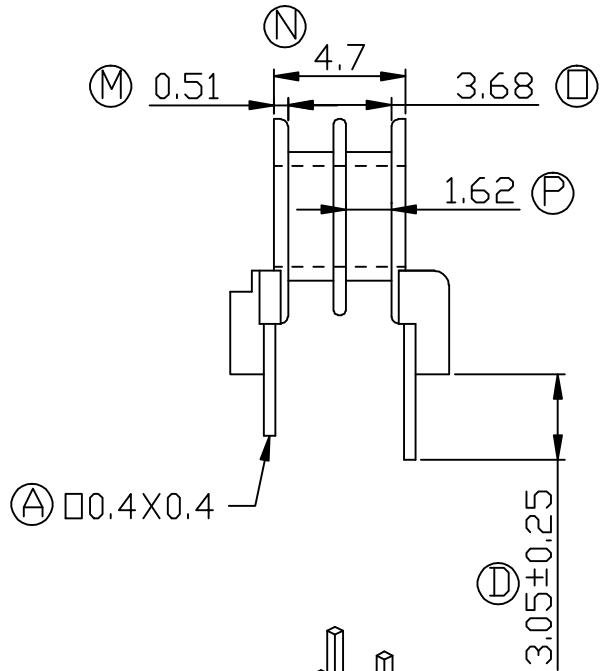
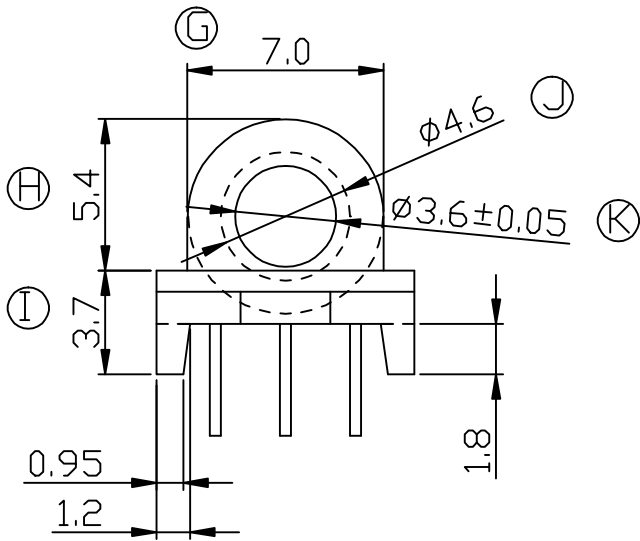
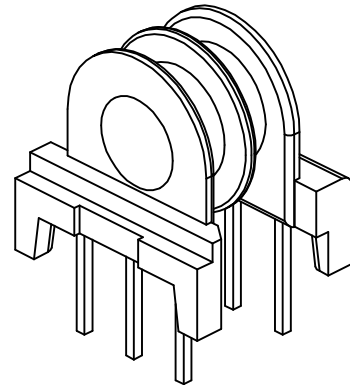
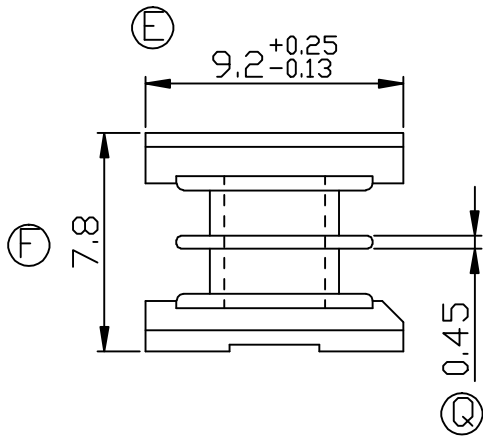


Build up your trust



TITLE:	EP-7 6PIN	TOLERANCES		BOBBIN MATERIAL:	UL REC.
DRAWING NO:	GS-0702-2	±0.13	PIN PITCH ±0.2	PHENOLIC PM9630	UL 94V-0
 建信電子制品有限公司 GEMSTONE ELECTRONIC PRODUCTS CO., LTD. ADD: 廣東省東莞市石排鎮石崇大道 TEL: (0769) 86514918, 86514919 FAX: 86514878	UNIT:	SCALE:	ANGLE:	DATE:	REV:
	MM	4/1	±1°	2010/7/23	A1
	DRAWN:	CHECK:	APPROVED:		
		XU ZHAN	XU ZHAN	XU ZHAN	

REV.	PORTION.	BEFORE REV.	AFTER REV.