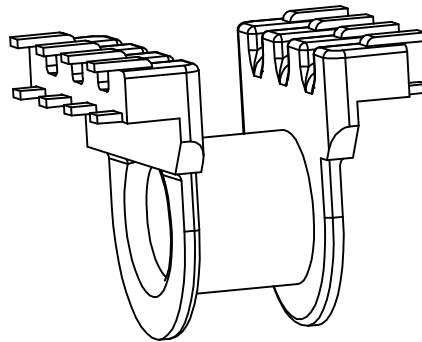
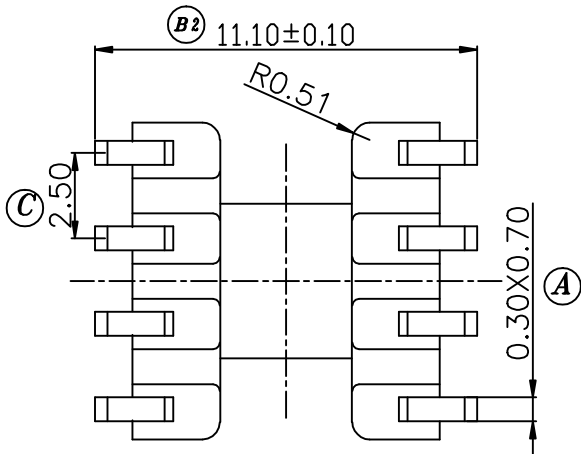
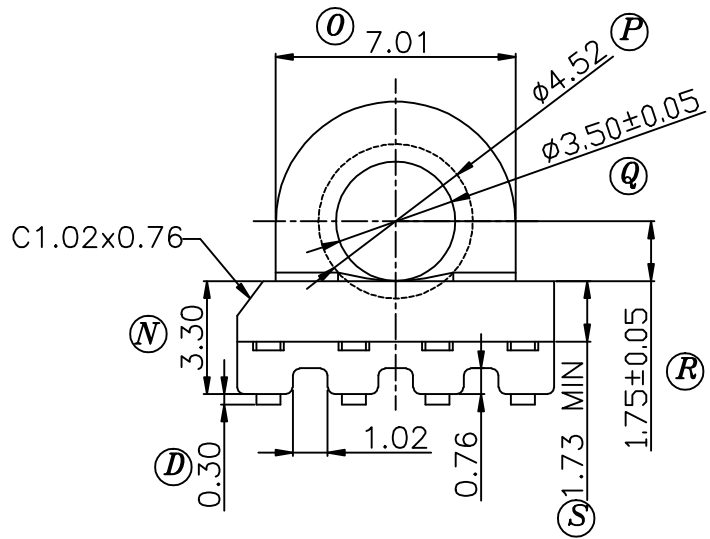
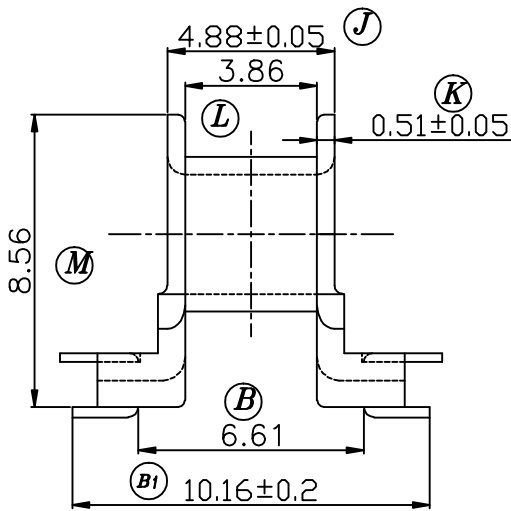
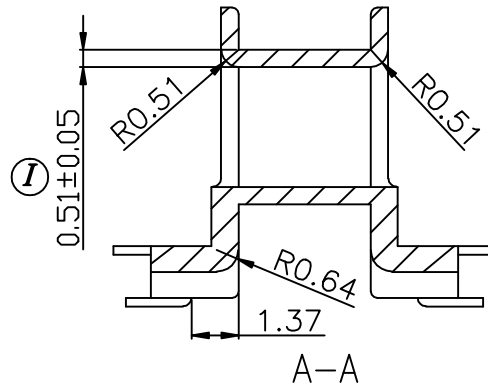
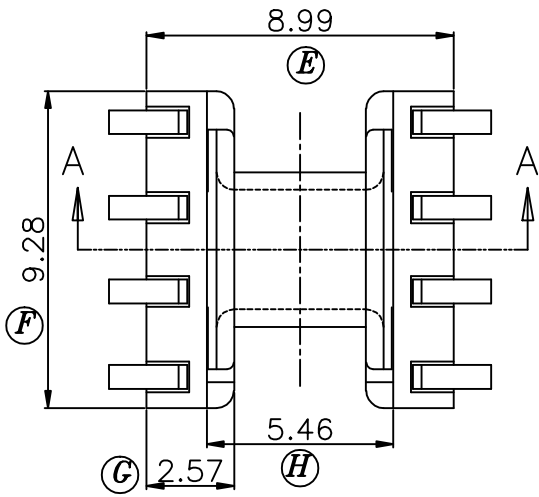


Build up your trust



TITLE: EP7 8PIN

DRAWING NO: GS-0704-1



建信電子制品有限公司

GEMSTONE ELECTRONIC PRODUCTS CO., LTD.

ADD: 廣東省東莞市石排鎮石崇大道

TEL: (0769) 86514918, 86514919 FAX: 86514878

TOLERANCES

±0.13

PIN PITCH

±0.2

BOBBIN MATERIAL:
DAP AM113

PIN MATERIAL:
CP WIRE

UL REC.
UL 94V-0

PIN TENSION LOAD:
1.5kg MIN

UNIT:

MM

SCALE:

5/1

ANGLE:

±1°

DATE:

2011/11/10

REV:

A0

DRAWN:

XU ZHAN

CHECK:

XU ZHAN

APPROVED:

REV.	PORTION.	BEFORE REV.	AFTER REV.