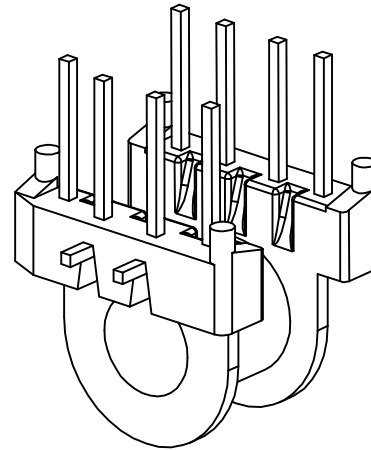
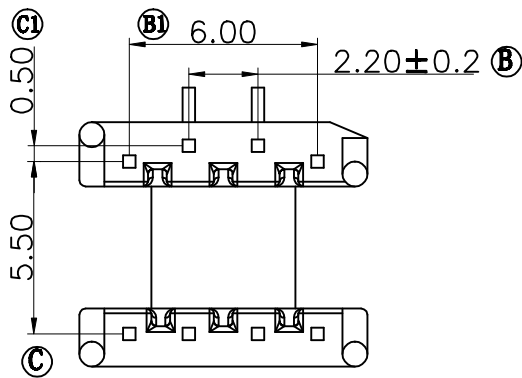
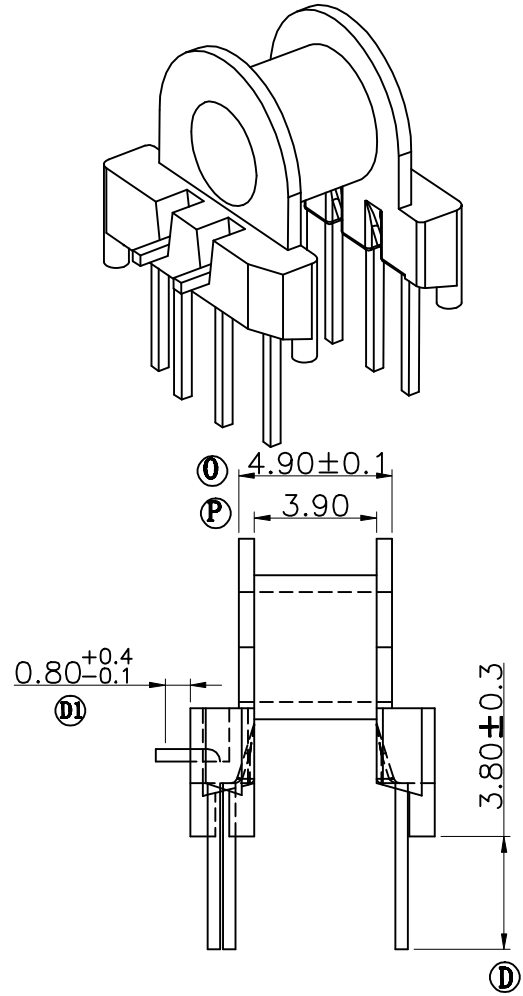
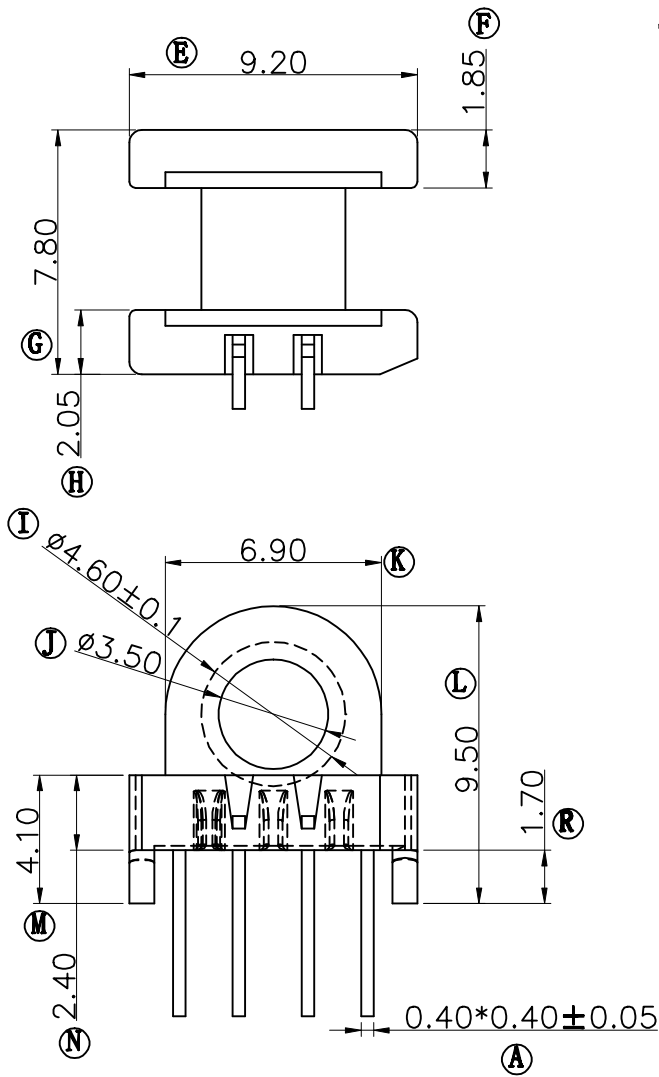


Build up your trust



TITLE: BOBBIN EP-7 8PIN

DRAWING NO: GS-0706

TOLERANCES

0<L≤4 ±0.1
4<L≤16 ±0.2
16<L≤63 ±0.3

PIN PITCH
±0.2

BOBBIN MATERIAL:
PM9630

PIN MATERIAL:
CP WIRE

UL REC.
UL 94V-0

PIN TENSION LOAD:
1.0Kg MIN

GEMSTONE 建信電子制品有限公司
GEMSTONE ELECTRONIC PRODUCTS CO., LTD.

UNIT:
MM

SCALE:
3/1

ANGLE:
±1°

DATE:
2013/08/19

REV:
A4

ADD: 廣東省東莞市石排鎮石崇大道
TEL: (0769) 86514918, 86514919 FAX: 86514878

DRAWN:
Ling Kang Ling

CHECK:
Xu Zhan

APPROVED:

REV.	PORTION.	BEFORE REV.	AFTER REV.
A4	"L" "R" "M" "I" 尺寸	分别为"9.0""1.20""3.6""4.6±0.2"	分别为"9.50", "1.70", "4.10""4.6±0.1"