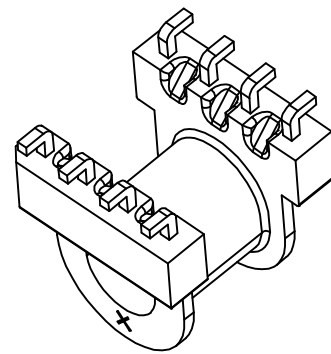
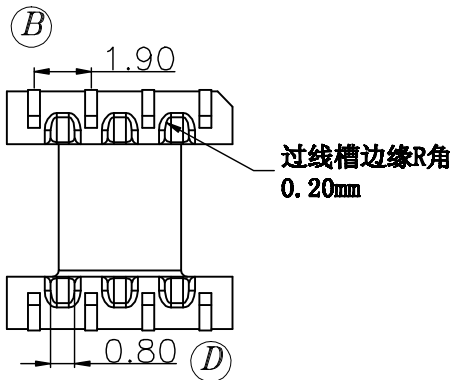
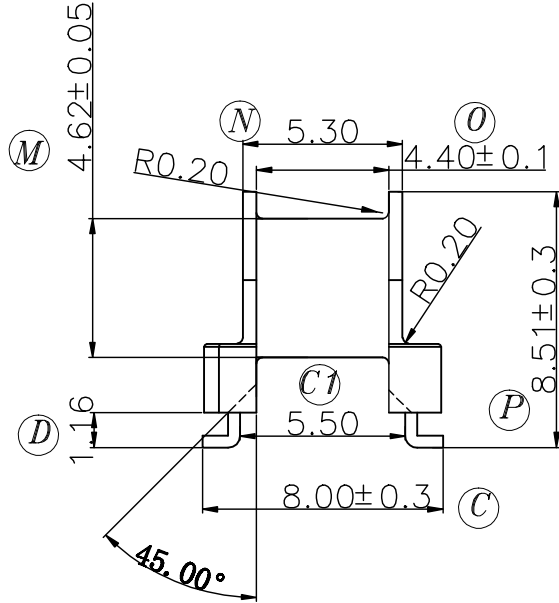
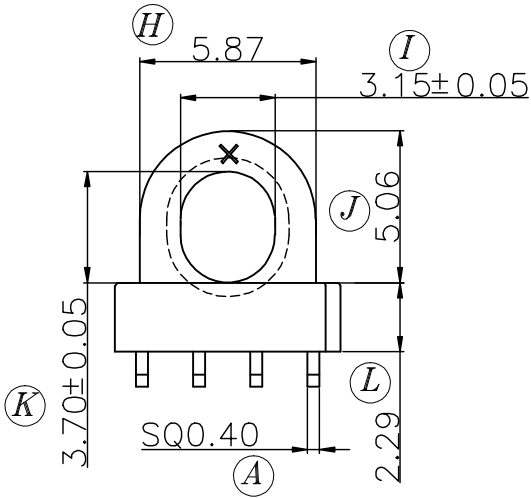
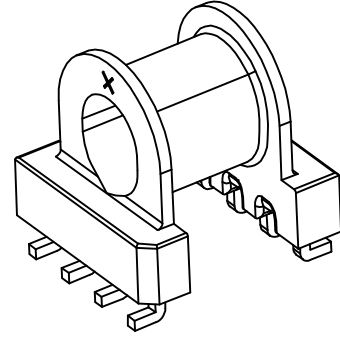
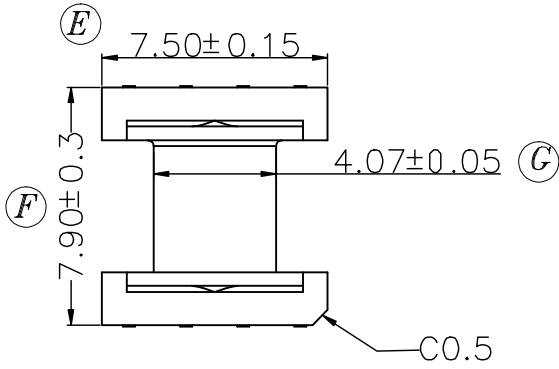


Build up your trust



TITLE: BOBBIN EP-7.35 8PIN

DRAWING NO: GS-0705

TOLERANCES

$0 < L \leq 4 \pm 0.1$   
 $4 < L \leq 16 \pm 0.2$   
 $16 < L \leq 63 \pm 0.3$

PIN PITCH  
 $\pm 0.1$

BOBBIN MATERIAL:  
 PM9630

PIN MATERIAL:  
 CP WIRE

UL REC.

UL 94V-0

PIN TENSION LOAD:  
 0.8kgMIN



建信電子制品有限公司  
 GEMSTONE ELECTRONIC PRODUCTS CO., LTD.

UNIT:  
 MM

SCALE:  
 4/1

ANGLE:  
 $\pm 1^\circ$

DATE:  
 2008/05/06

REV:  
 A0

ADD: 廣東省東莞市石排鎮石崇大道  
 TEL: (0769) 86514918, 86514919 FAX: 86514878

DRAWN:  
 LW

CHECK:  
 XU ZHAN

APPROVED:

REV.	PORTION.	BEFORE REV.	AFTER REV.