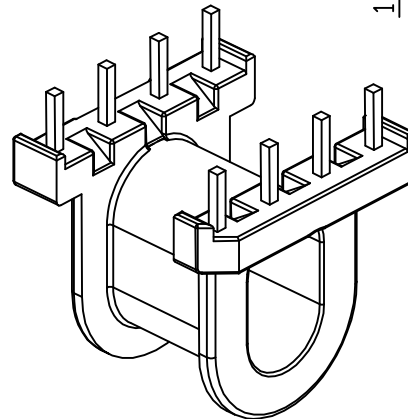
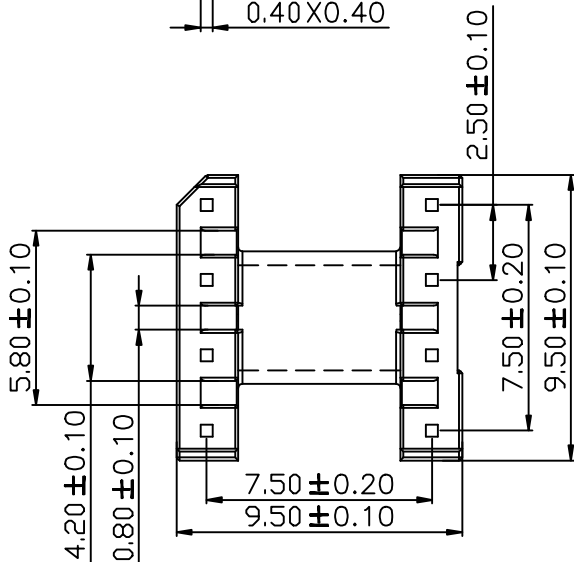
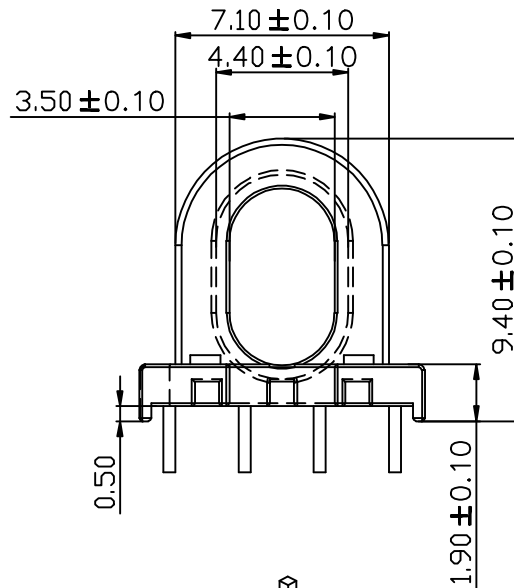
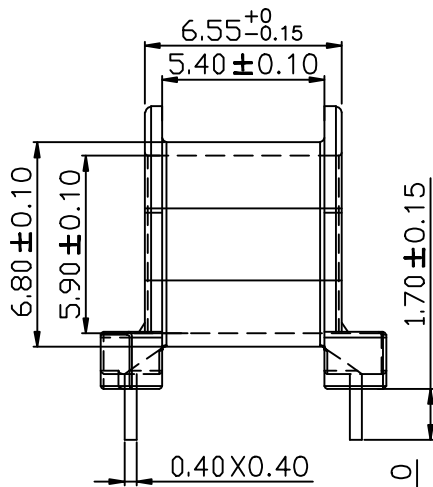
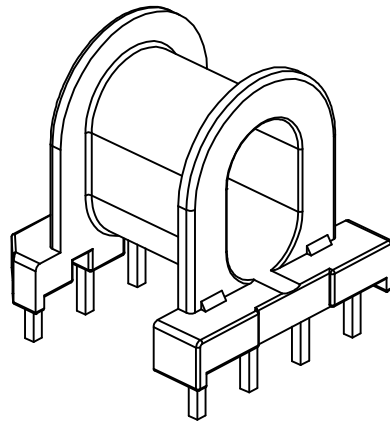
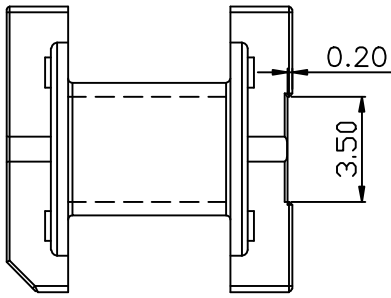


Build up your trust



TITLE: BOBBIN EP-7 8PIN	TOLERANCES		BOBBIN MATERIAL: PM9630		UL REC: UL 94V-0
	0<L≦4 ±0.1	PIN PITCH ±0.2	PIN MATERIAL: CP WIRE		PIN TENSION LOAD: 0.8kg MIN
DRAWING NO: GS-0709	4<L≦16 ±0.2		UNIT: MM	SCALE: 4/1	ANGLE: ±1°
 建信電子制品有限公司 GEMSTONE ELECTRONIC PRODUCTS CO., LTD. ADD: 廣東省東莞市石排鎮石崇大道 TEL: (0769) 86514918, 86514919 FAX: 86514878	16<L≦63 ±0.3	DRAWN: QIU	CHECK: XU ZHAN	REV: A0	APPROVED:

REV.	PORTION	BEFORE REV.	AFTER REV.