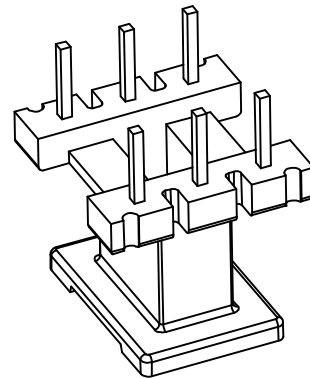
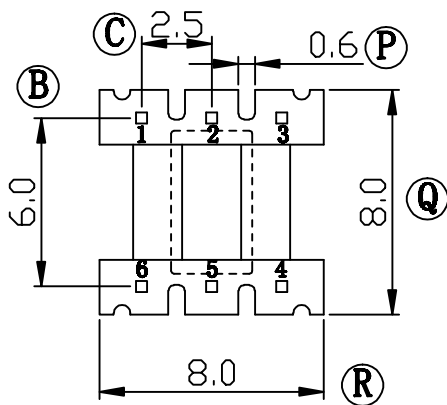
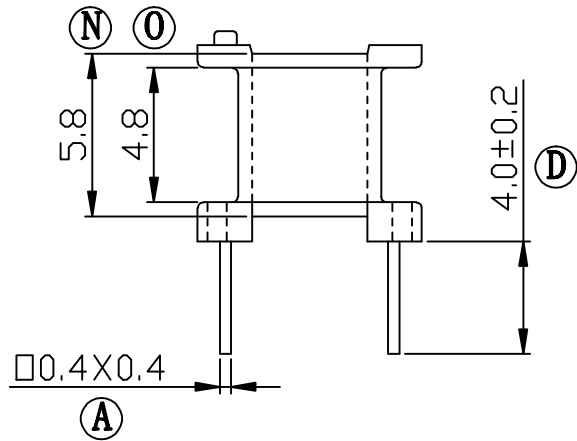
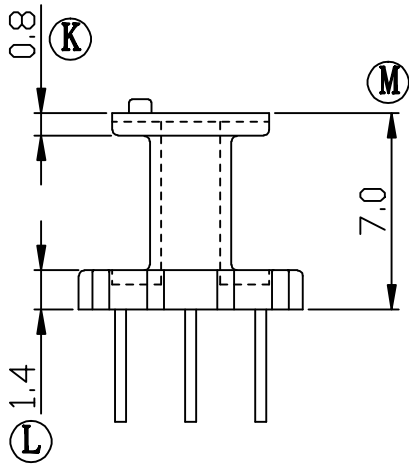
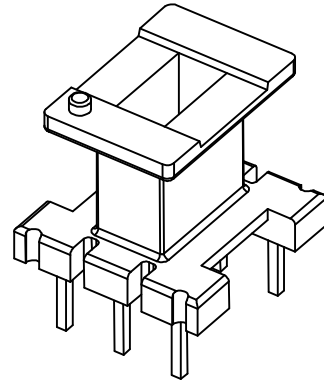
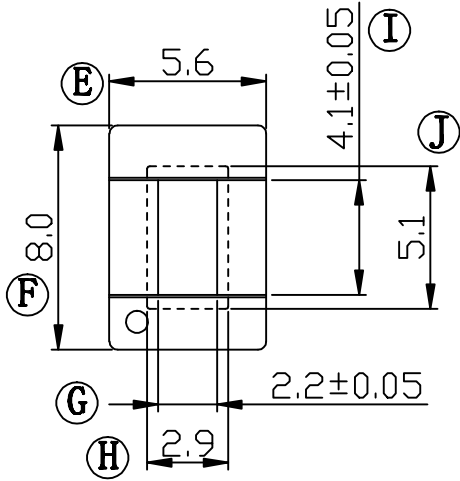


Build up your trust



TITLE:	EE-8.3 6PIN	TOLERANCES		BOBBIN MATERIAL:	UL REC.
DRAWING NO:	GS-0803	0<L≤4 ±0.1	PIN PITCH ±0.2	PHENOLIC PM9820	UL 94V-0
 <b>建信電子制品有限公司</b> GEMSTONE ELECTRONIC PRODUCTS CO., LTD. ADD: 廣東省東莞市石排鎮石崇大道 TEL: (0769)86514918, 86514919 FAX: 86514878		4<L≤16 ±0.2		PIN MATERIAL:	PIN TENSION LOAD:
		16<L≤63 ±0.3	CP WIRE	0.8KG MIN	
		UNIT:	SCALE:	ANGLE:	DATE:
		MM	4/1	±1°	2005/8/8
		DRAWN:	CHECK:	REV:	APPROVED:
		HZP	XU ZHAN	A0	

REV.	PORTION.	BEFORE REV.	AFTER REV.