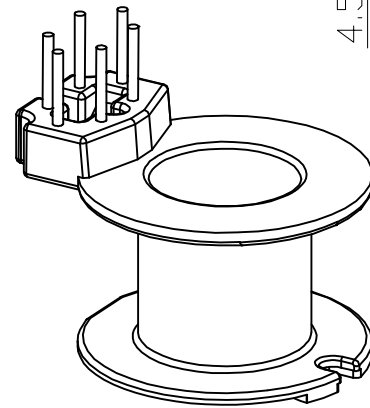
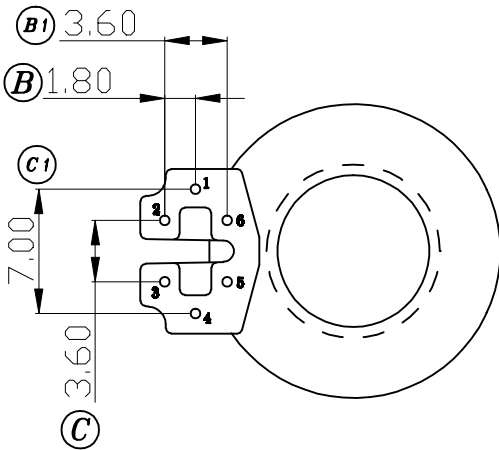
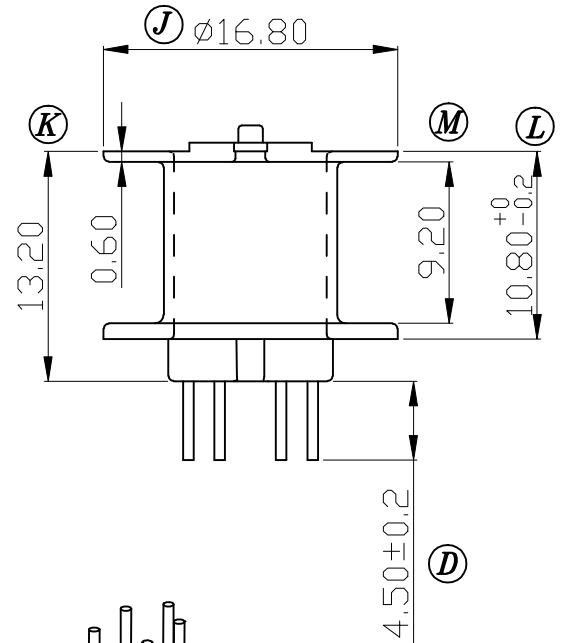
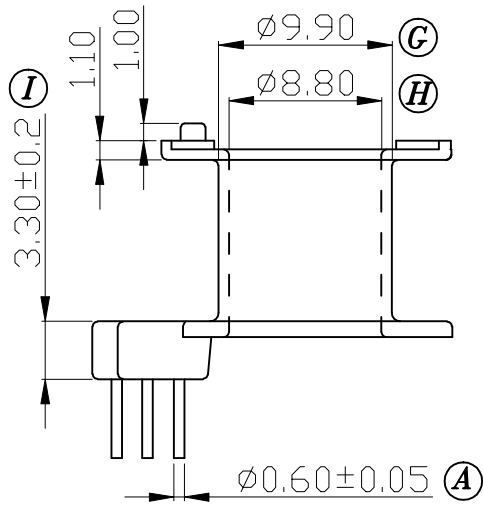
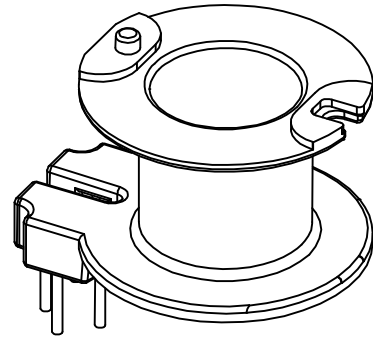
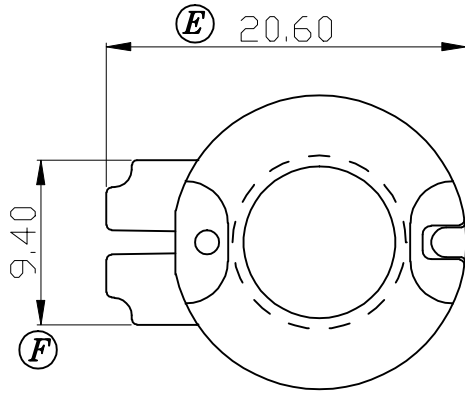


Build up your trust



TITLE: BOBBIN RM8-12P-A (6PIN)

DRAWING NO: GS-0804

TOLERANCES

0<L≤4 ±0.1
4<L≤16 ±0.2
16<L≤63 ±0.3

PIN PITCH
±0.2

BOBBIN MATERIAL:
PHENOLIC PM9820

PIN MATERIAL:
CP WIRE

UL REC.
UL 94V-0

PIN TENSION LOAD:
1.0KG MIN



建信電子制品有限公司

GEMSTONE ELECTRONIC PRODUCTS CO., LTD.

ADD: 廣東省東莞市石排鎮石崇大道

TEL: (0769) 86514918, 86514919 FAX: 86514878

UNIT:
MM

SCALE:
2.5/1

ANGLE:
±1°

DATE:
2009/12/11

REV:
A1

DRAWN:
L. W

CHECK:
XU ZHAN

APPROVED:

REV.	PORTION.	BEFORE REV.	AFTER REV.