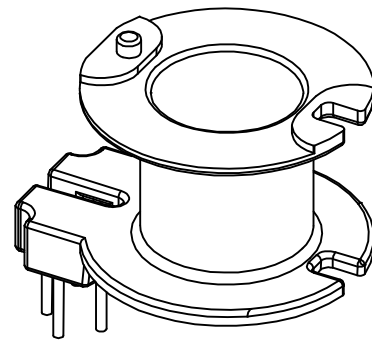
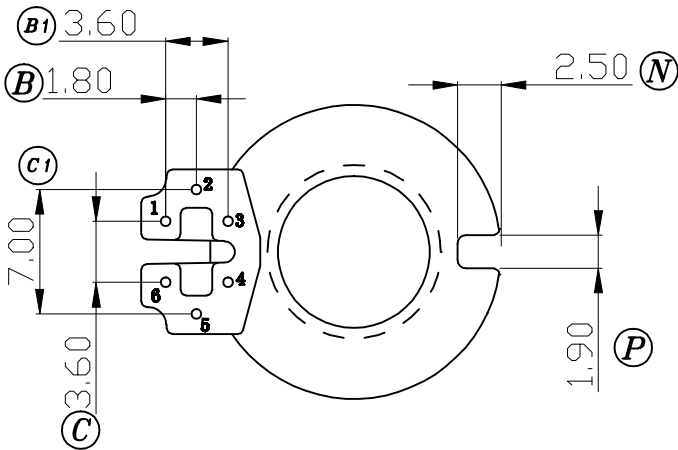
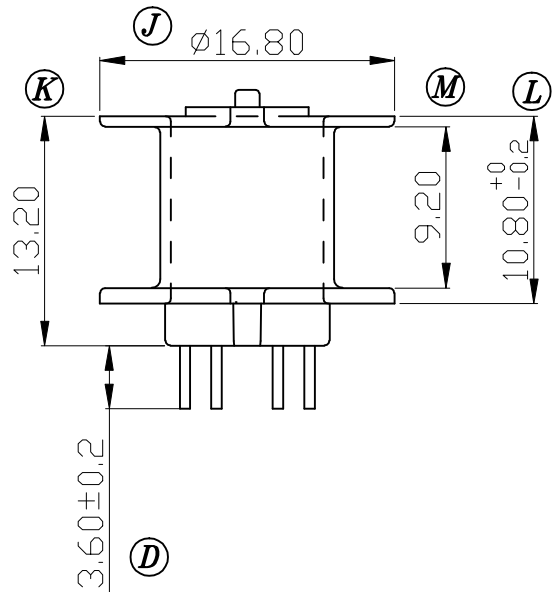
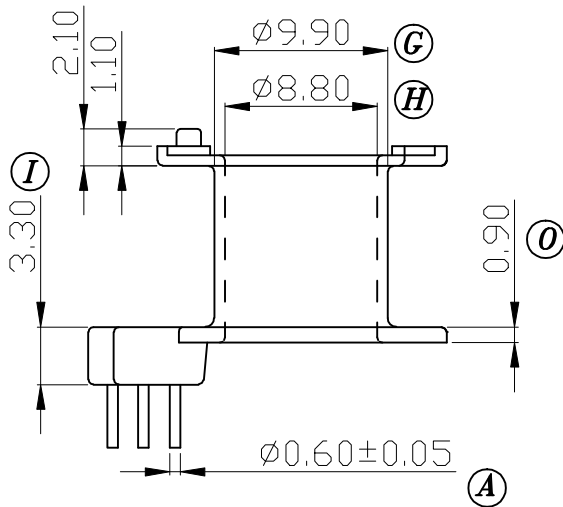
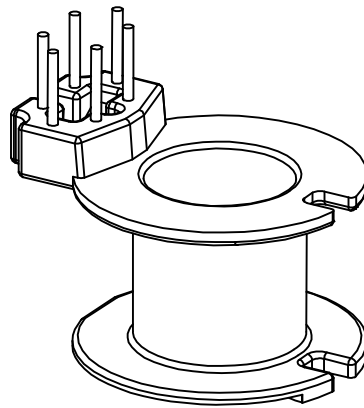
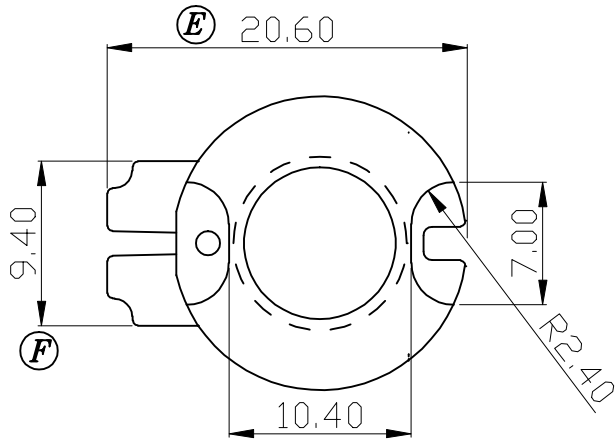


Build up your trust



TITLE: BOBBIN RM8-12P-A(6PIN)

DRAWING NO: GS-0804-1

TOLERANCES

0 $L \le 4$	± 0.1	PIN PITCH ± 0.2
4 $L \le 16$	± 0.2	
16 $L \le 63$	± 0.3	

BOBBIN MATERIAL:
PHENOLIC PM9820

UL REC.
UL 94V-0

PIN MATERIAL:
CP WIRE

PIN TENSION LOAD:
1.0KG MIN

GEMSTONE 建信電子制品有限公司
GEMSTONE ELECTRONIC PRODUCTS CO., LTD.

UNIT: MM	SCALE: 2.5/1	ANGLE: $\pm 1^\circ$	DATE: 2009/12/09	REV: A1
DRAWN: L. W		CHECK: XU ZHAN		APPROVED:

ADD: 廣東省東莞市石排鎮石崇大道
TEL: (0769) 86514918, 86514919 FAX: 86514878

REV.	PORTION.	BEFORE REV.	AFTER REV.