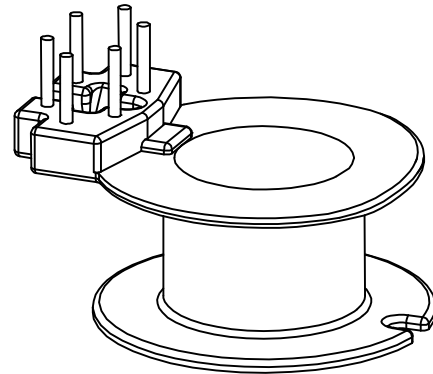
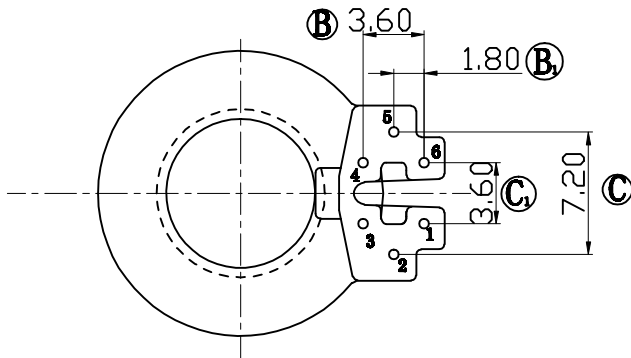
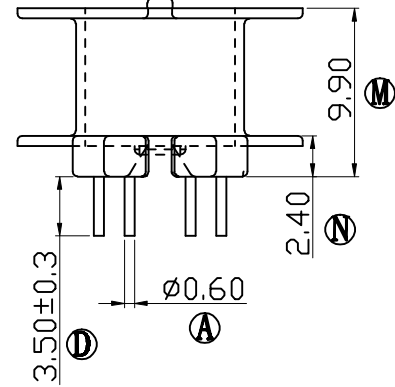
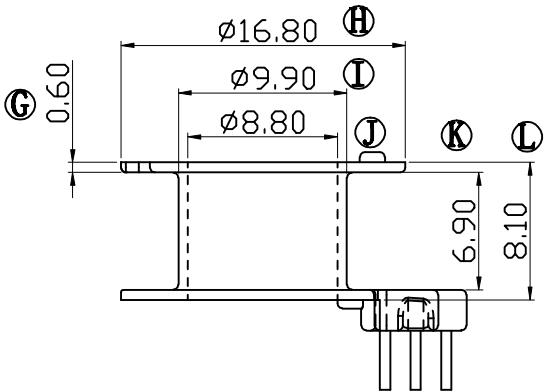
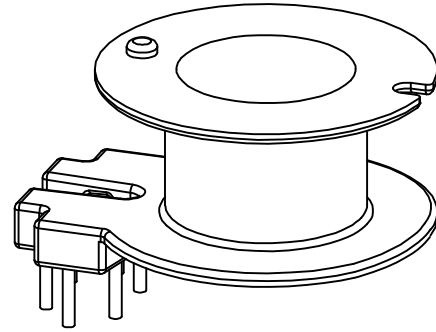
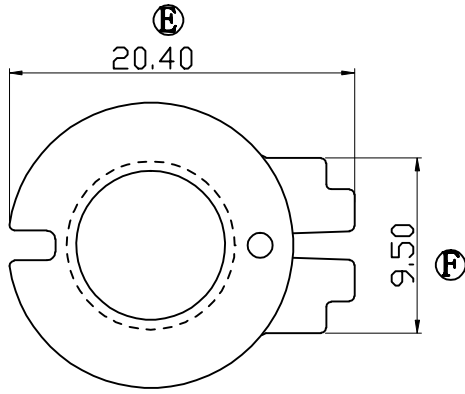


Build up your trust



TITLE: BOBBIN RM8-12P-B(6PIN)

DRAWING NO: GS-0805

TOLERANCES	
0 $\leq L \leq 4$	± 0.1
4 $\leq L \leq 16$	± 0.2
16 $\leq L \leq 63$	± 0.3
PIN PITCH	
	± 0.2

BOBBIN MATERIAL:
PHENOLIC PM 9630

PIN MATERIAL:
CP WIRE

UL REC.
UL 94V-0

PIN TENSION LOAD:
1.0KG MIN

GEMSTONE 建信電子制品有限公司
GEMSTONE ELECTRONIC PRODUCTS CO., LTD.
ADD: 廣東省東莞市石排鎮石崇大道
TEL: (0769)86514918, 86514919 FAX: 86514878

UNIT: MM	SCALE: 2/1	ANGLE: $\pm 1^\circ$	DATE: 2007/11/15	REV: A1
DRAWN: You Lang Hui		CHECK: XU ZHAN		APPROVED:

REV.	PORTION.	BEFORE REV.	AFTER REV.