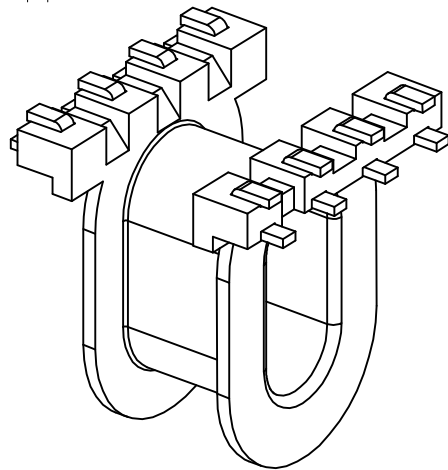
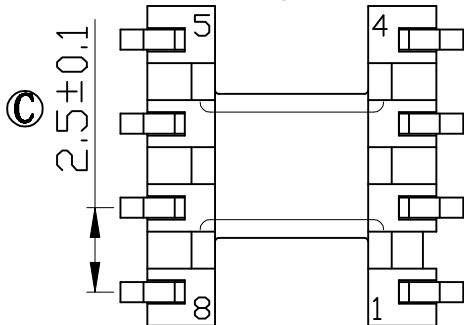
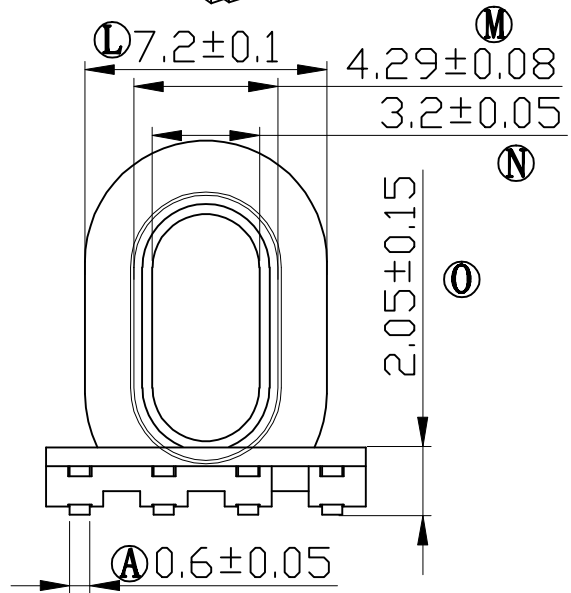
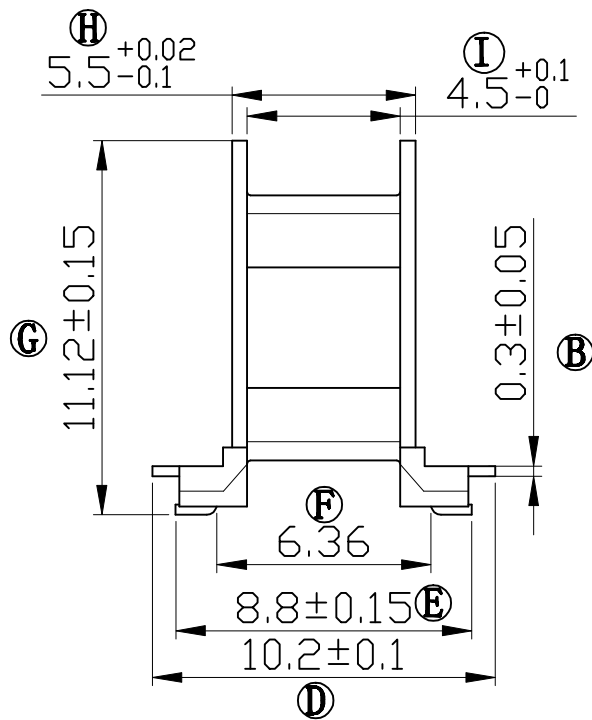
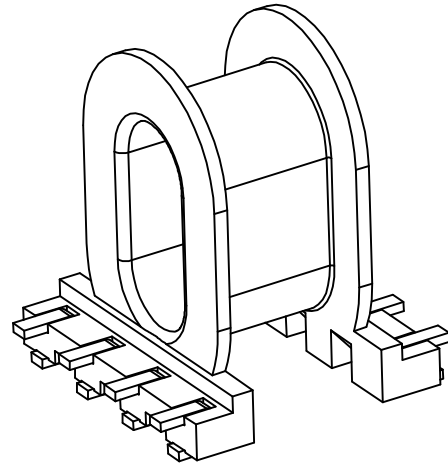
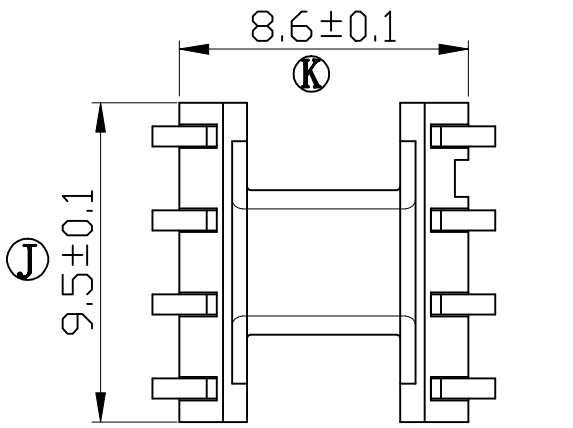


Build up your trust



TITLE: EOP-9.5 8PIN		TOLERANCES		BOBBIN MATERIAL: PM-9630		UL REC. UL 94V-0	
DRAWING NO: GS-0901		0<L≤4 ±0.1	PIN PITCH ±0.2	PIN MATERIAL: PHOSPHOR BRONZE		PIN TENSION LOAD: 1.5KG MIN	
 建信電子制品有限公司 GEMSTONE ELECTRONIC PRODUCTS CO., LTD. ADD: 廣東省東莞市石排鎮石崇大道 TEL: (0769) 86514918, 86514919 FAX: 86514878		4<L≤16 ±0.2		UNIT: MM	SCALE: 4/1	ANGLE: ±1°	DATE: 2006/07/29
		16<L≤63 ±0.3	DRAWN: HZP		CHECK: XU ZHAN		APPROVED:

REV.	PORTION	BEFORE REV.	AFTER REV.