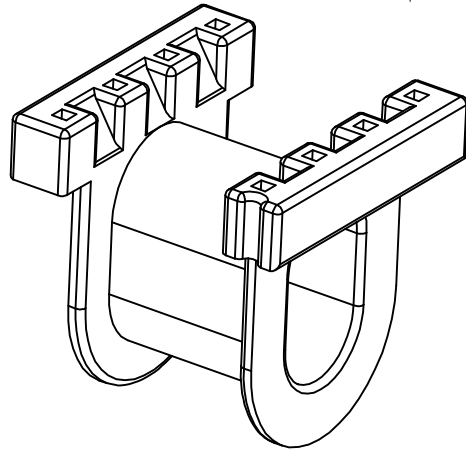
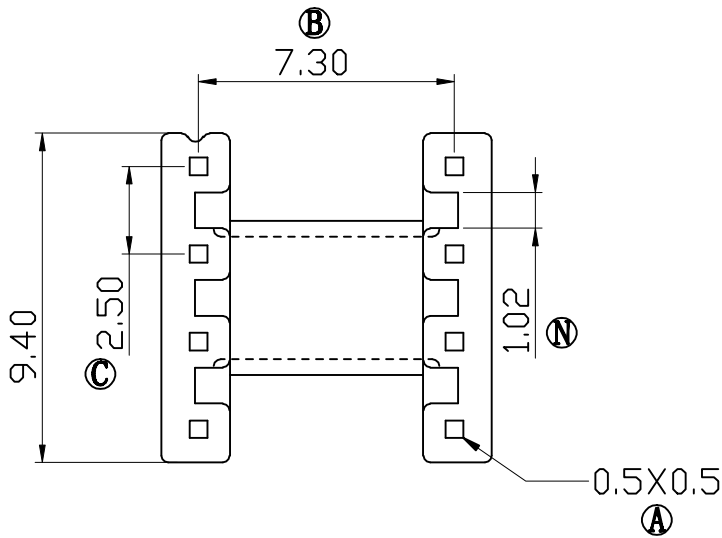
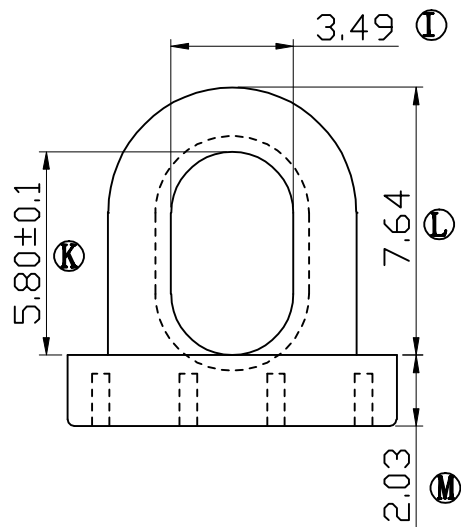
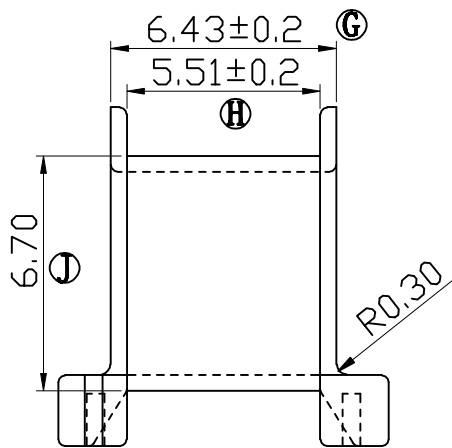
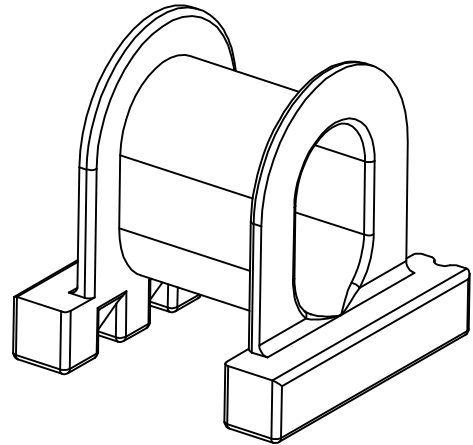
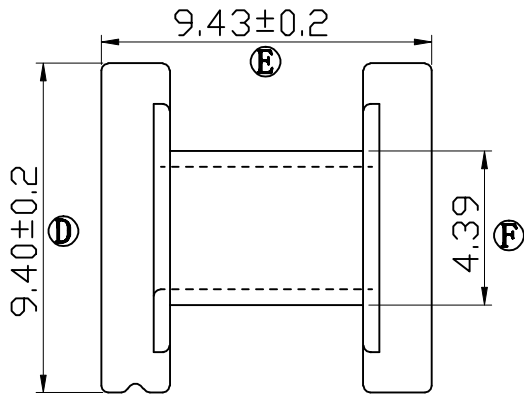


Build up your trust



TITLE: <b>BOBBIN EPX9</b>		TOLERANCES		BOBBIN MATERIAL: PHENOLIC PM9820		UL REC. UL 94V-0	
DRAWING NO: <b>GS-0902</b>		±0.13	PIN PITCH ±0.2	PIN MATERIAL:		PIN TENSION LOAD:	
 <b>建信電子制品有限公司</b> GEMSTONE ELECTRONIC PRODUCTS CO., LTD. ADD: 廣東省東莞市石排鎮石崇大道 TEL: (0769)86514918, 86514919 FAX: 86514878	UNIT: MM	SCALE: 5/1	ANGLE: ±1°	DATE: 2006/11/5	REV: A0		
	DRAWN: Wang Ren Jun		CHECK: XU ZHAN		APPROVED:		

REV.	PORTION.	BEFORE REV.	AFTER REV.