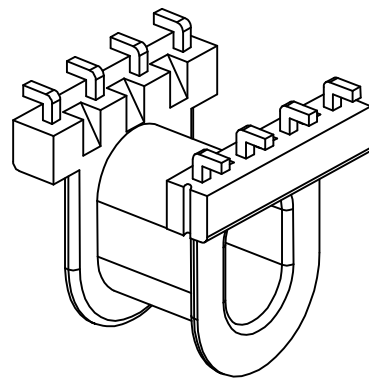
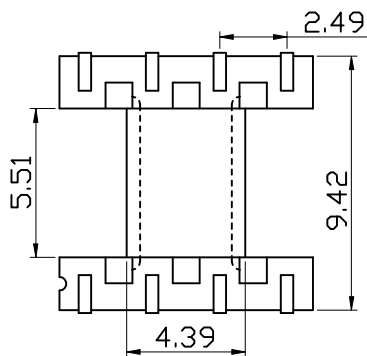
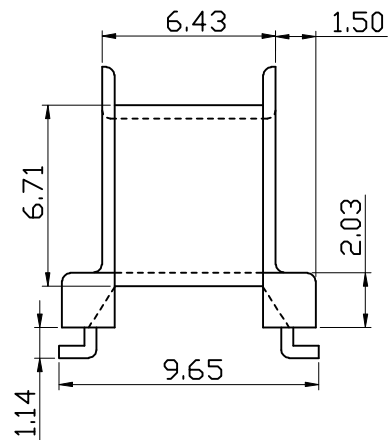
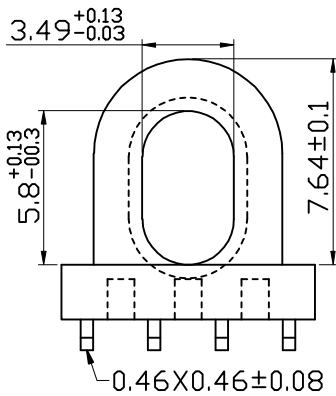
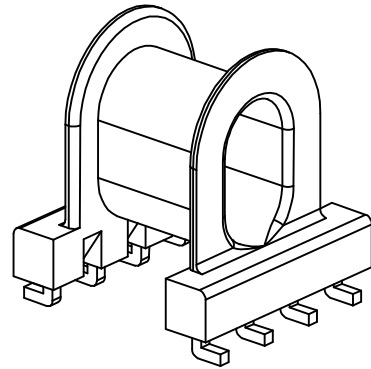
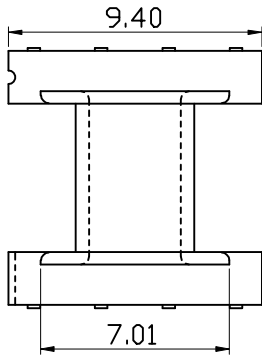


Build up your trust



TITLE: BOBBIN EPX9 8PIN

DRAWING NO: GS-0902-1

GEMSTONE 建信電子制品有限公司
GEMSTONE ELECTRONIC PRODUCTS CO., LTD.

ADD: 廣東省東莞市石排鎮石崇大道

TEL: (0769)86514918, 86514919 FAX: 86514878

TOLERANCES

±0.13

UNIT: MM

SCALE: 5/1

DRAWN: Wang Ren Jun

BOBBIN MATERIAL: DAP AM113

PIN MATERIAL: CP WIRE

ANGLE: ±1°
DATE: 2007/04/17

CHECK: XU ZHAN

UL REC. UL 94V-0

PIN TENSION LOAD: 1.0KG MIN

REV: A0

APPROVED:

REV.	PORTION	BEFORE REV.	AFTER REV.