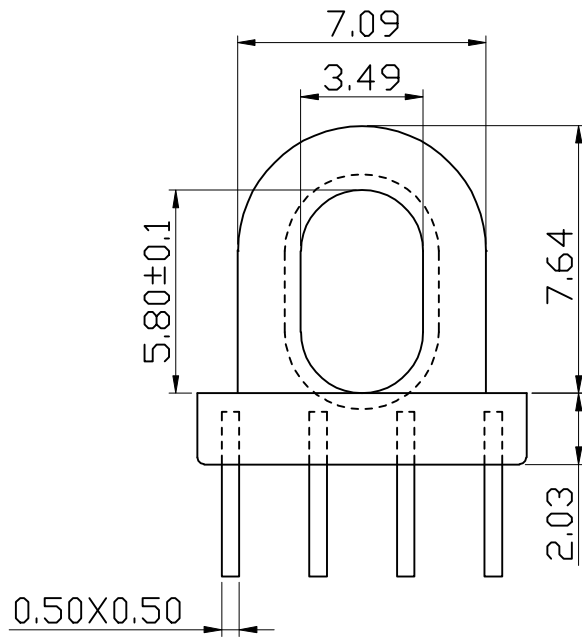
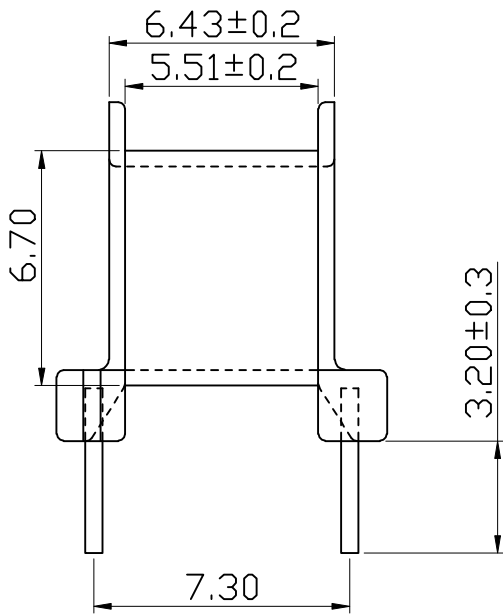
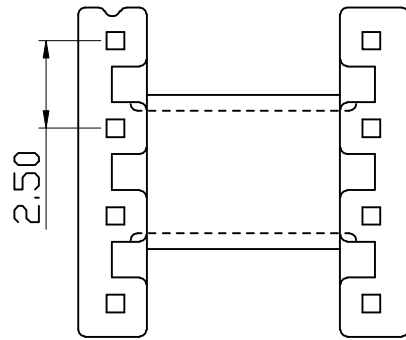
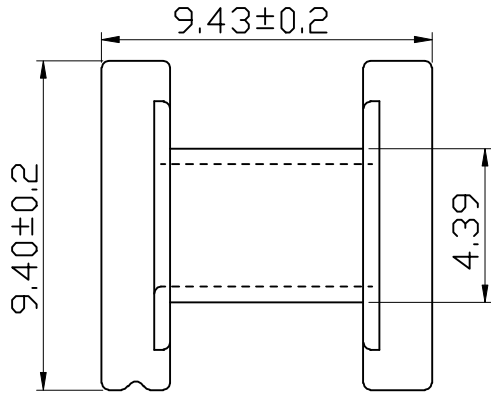


Build up your trust



TITLE: BOBBIN EPX9 8PIN		TOLERANCES		BOBBIN MATERIAL: PHENOLIC PM9820		UL REC. UL 94V-0	
DRAWING NO: GS-0902-2		±0.13		PIN MATERIAL: PHOSPHOR BRONZE		PIN TENSION LOAD: 1.0KG MIN	
 建信電子制品有限公司 GEMSTONE ELECTRONIC PRODUCTS CO., LTD. ADD: 廣東省東莞市石排鎮石崇大道 TEL: (0769)86514918, 86514919 FAX:86514878	UNIT: MM	SCALE: 5/1	ANGLE: ±1°	DATE: 2007/04/17	REV: A0		
	DRAWN: Wang Ren Jun		CHECK: XU ZHAN		APPROVED:		

REV.	PORTION.	BEFORE REV.	AFTER REV.