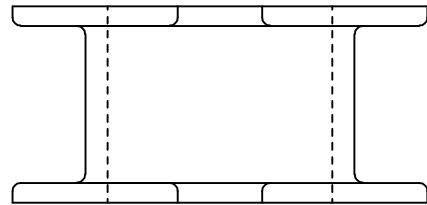
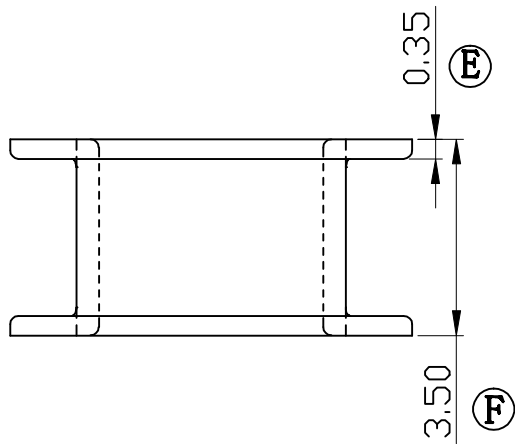
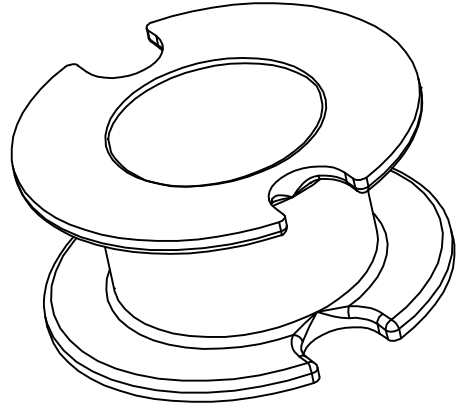
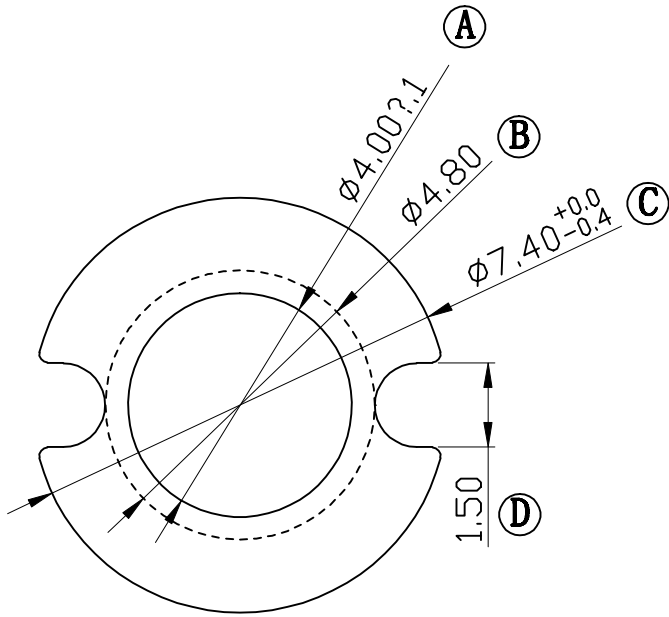


Build up your trust



TITLE: BOBBIN 9X5		TOLERANCES		BOBBIN MATERIAL: PBT 420SEO (BK)		UL REC. UL 94V-0	
DRAWING NO: GS-0903		± 0.13	PIN PITCH ± 0.2	PIN MATERIAL:		PIN TENSION LOAD:	
 建信電子制品有限公司 GEMSTONE ELECTRONIC PRODUCTS CO., LTD. ADD: 廣東省東莞市石排鎮石崇大道 TEL: (0769)86514918, 86514919 FAX: 86514878	UNIT: MM	SCALE: 8/1	ANGLE: $\pm 1^\circ$	DATE: 2006/11/5	REV: A0		
	DRAWN: Wang Ren Jun		CHECK: XU ZHAN		APPROVED:		

REV.	PORTION.	BEFORE REV.	AFTER REV.