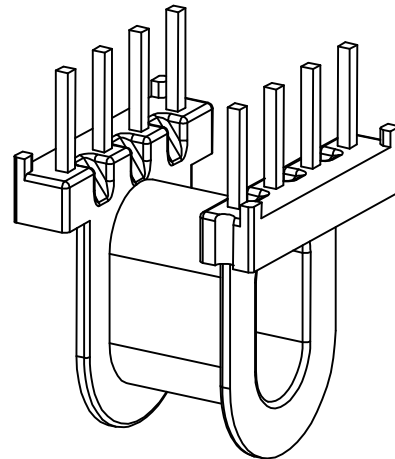
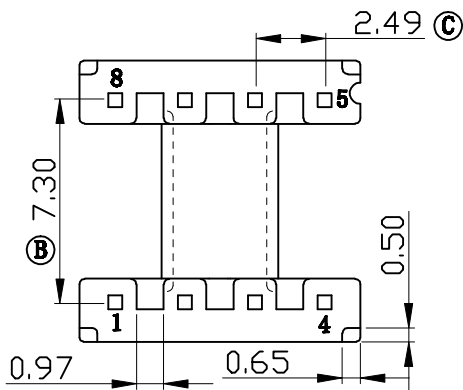
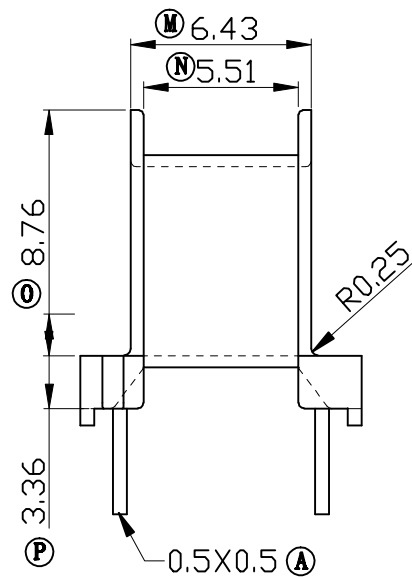
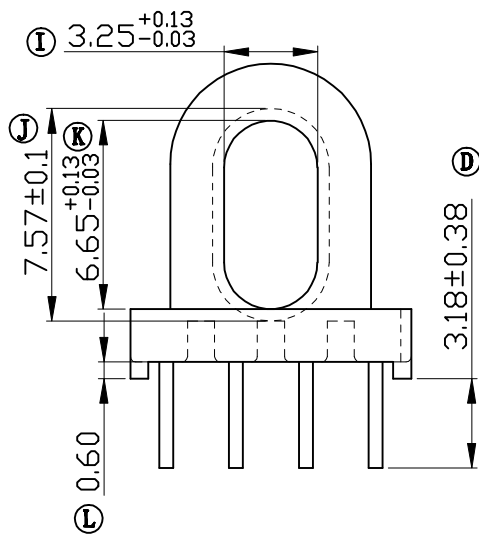
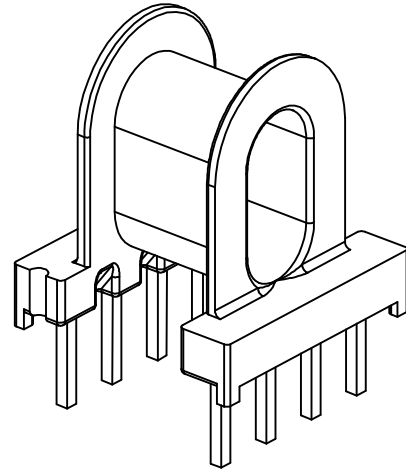
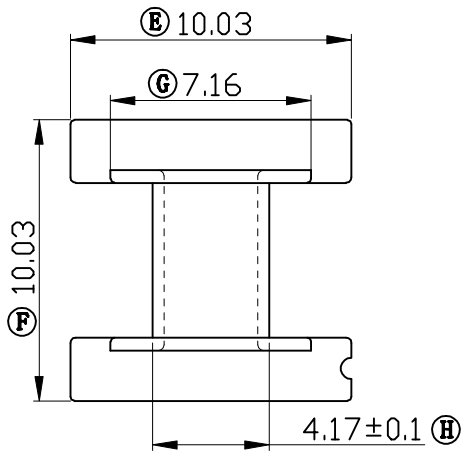


Build up your trust



TITLE: BOBBIN EPX 9.5 (8PIN)		TOLERANCES		BOBBIN MATERIAL: PHENOLIC PM9630		UL REC. UL 94V-0	
DRAWING NO: GS-0904		±0.13		PIN MATERIAL: PHOSPHOR BRONZE		PIN TENSION LOAD: 1.0KG MIN	
 <b>建信電子制品有限公司</b> GEMSTONE ELECTRONIC PRODUCTS CO., LTD. ADD: 廣東省東莞市石排鎮石崇大道 TEL: (0769)86514918, 86514919 FAX:86514878		UNIT: MM	SCALE: 4/1	ANGLE: ±1°	DATE: 2007/6/28	REV: A0	
		DRAWN: Wang Ren Jun		CHECK: XU ZHAN		APPROVED:	

REV.	PORTION.	BEFORE REV.	AFTER REV.