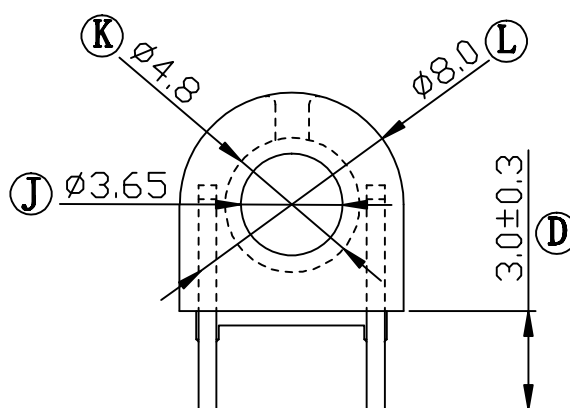
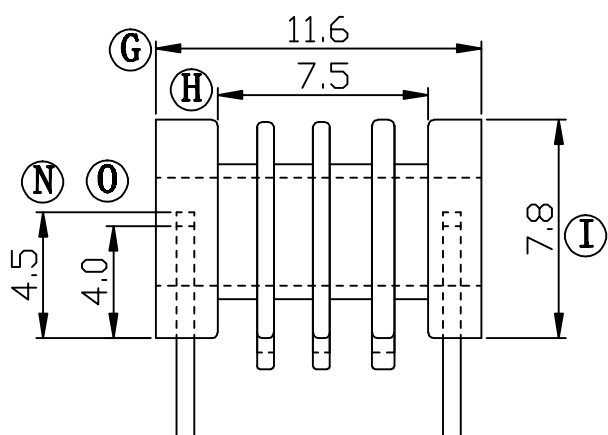
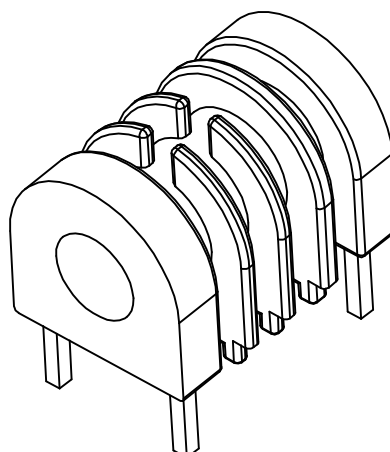
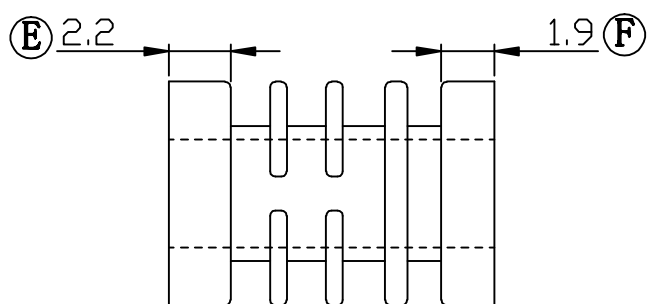
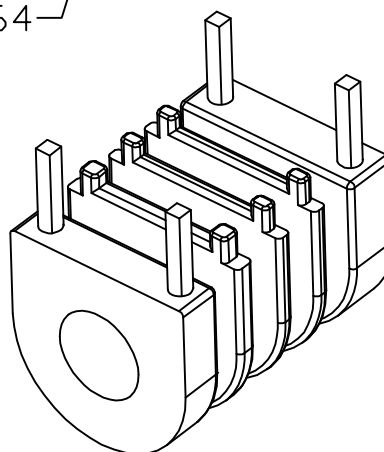
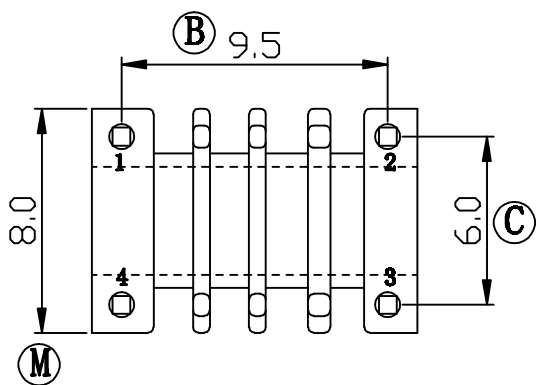


Build up your trust



A 0.64X0.64



TITLE: BOBBIN 4PIN		TOLERANCES		BOBBIN MATERIAL: PLASTIC PBT4830 (WT)		UL REC. UL 94V-0	
DRAWING NO: GS-1000		0<L≤4 ±0.1	PIN PITCH ±0.2	PIN MATERIAL: CP WIRE		PIN TENSION LOAD: 1.2KG MIN	
		4<L≤16 ±0.2					
		16<L≤63 ±0.3					
建信電子制品有限公司 GEMSTONE ELECTRONIC PRODUCTS CO., LTD.		UNIT: MM	SCALE: 4/1	ANGLE: ±1°	DATE: 2006/4/7	REV: A2	
ADD: 廣東省東莞市石排鎮石崇大道		DRAWN: HZP		CHECK: XU ZHAN		APPROVED:	
TEL: (0769)86514918, 86514919 FAX:86514878							

REV.	PORTION	BEFORE REV.	AFTER REV.