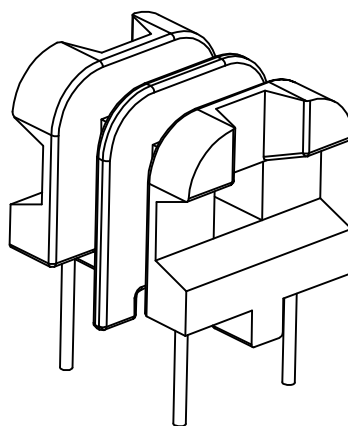
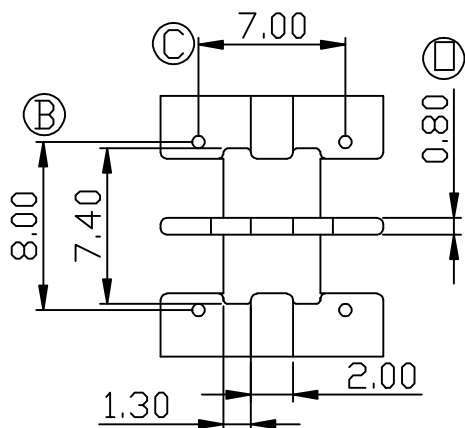
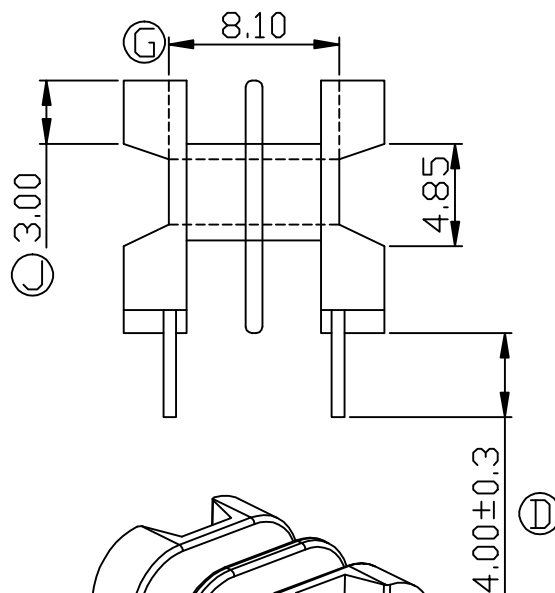
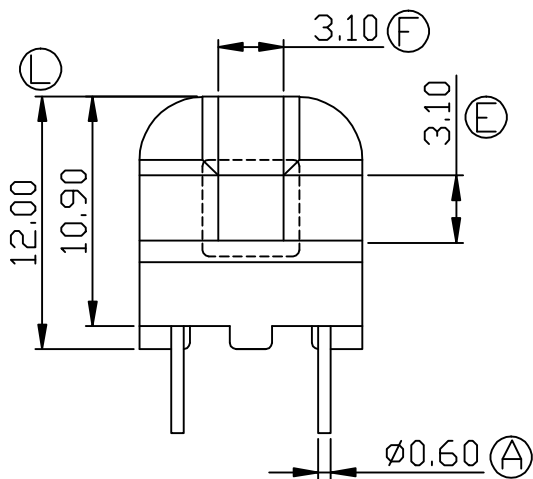
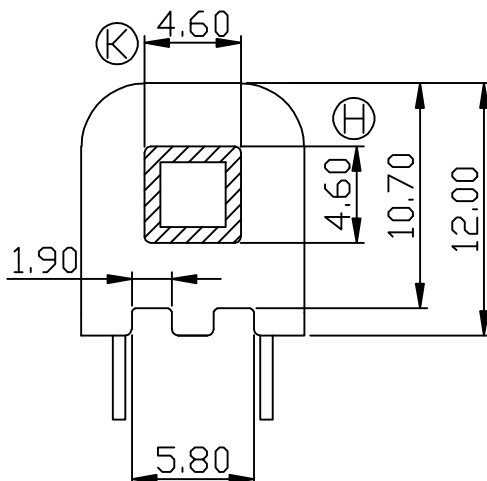
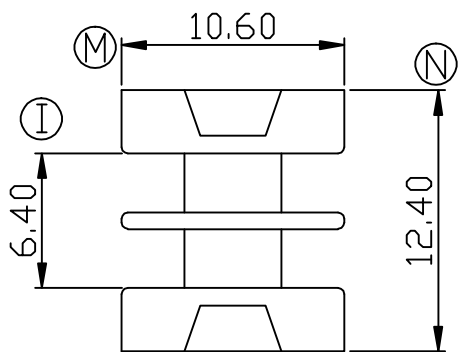


Build up your trust



TITLE: BOBBIN UU-9.8(2GROOVES) (4PIN)

DRAWING NO: GS-1001

GEMSTONE 建信電子制品有限公司
GEMSTONE ELECTRONIC PRODUCTS CO., LTD.

ADD: 廣東省東莞市石排鎮石崇大道
TEL: (0769)86514918, 86514919 FAX:86514878

TOLERANCES

0 < L ≤ 4	±0.1	PIN PITCH
4 < L ≤ 16	±0.2	
16 < L ≤ 63	±0.3	

BOBBIN MATERIAL:
PHENOLIC T375FH

UL REC.
UL 94V-0

PIN MATERIAL:
CP WIRE

PIN TENSION LOAD:
1.0KG MIN

UNIT:
MM

SCALE:
3/1

ANGLE:
±1°

DATE:
2004/4/15

REV:
A0

DRAWN:
XU ZHAN

CHECK:
XU ZHAN

APPROVED:

REV.	PORTION.	BEFORE REV.	AFTER REV.