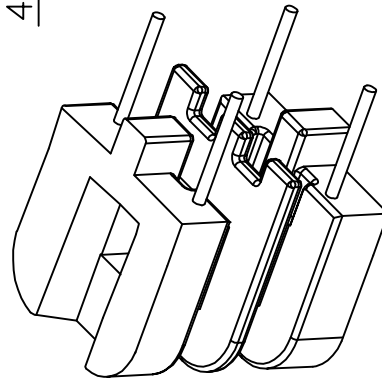
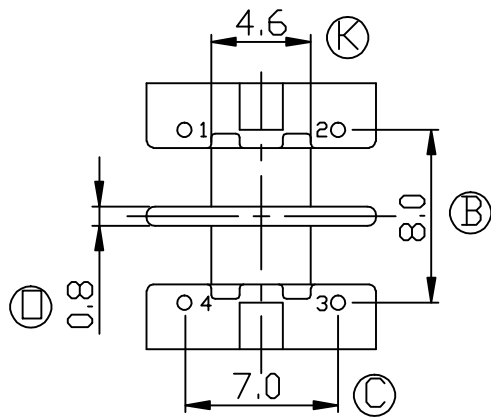
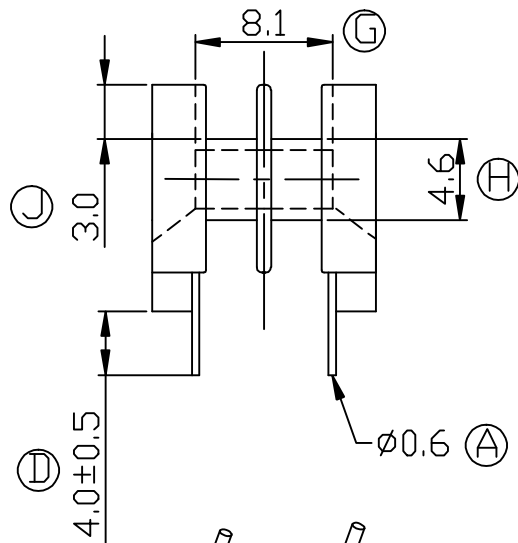
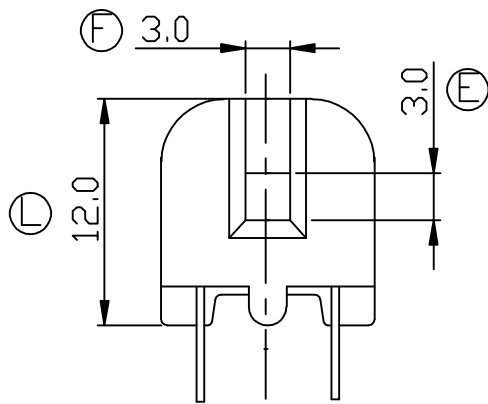
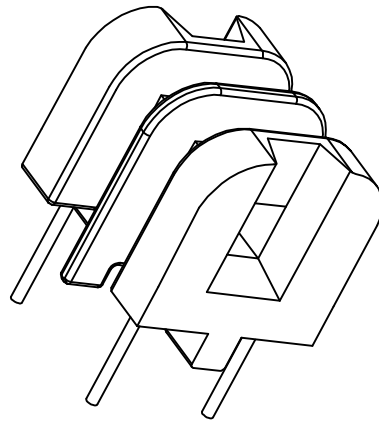
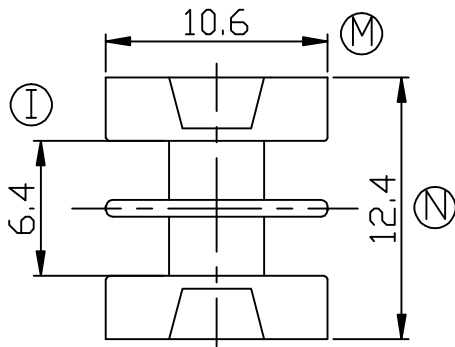


Build up your trust



TITLE: BOBBIN UU-9.8 (4PIN)

DRAWING NO: GS-1001-1

GEMSTONE 建信電子制品有限公司
 GEMSTONE ELECTRONIC PRODUCTS CO., LTD.
 ADD: 廣東省東莞市石排鎮石崇大道
 TEL: (0769) 86514918, 86514919 FAX: 86514878

TOLERANCES

0 < L ≤ 4 ±0.1
 4 < L ≤ 16 ±0.2
 16 < L < 63 ±0.3

PIN PITCH
 ±0.2

BOBBIN MATERIAL:
 PHENOLIC T375HF

UL REC.
 UL 94V-0

PIN MATERIAL:
 CP WIRE

PIN TENSION LOAD:
 1.0KG MIN

UNIT:
 MM

SCALE:
 3/1

ANGLE:
 ±1°

DATE:
 2004/4/15

REV:
 A0

DRAWN:
 XU ZHAN

CHECK:
 DAVID

APPROVED:

REV.	PORTION.	BEFORE REV.	AFTER REV.