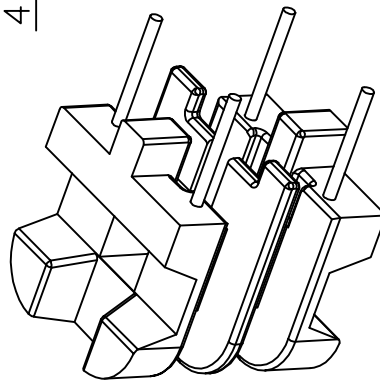
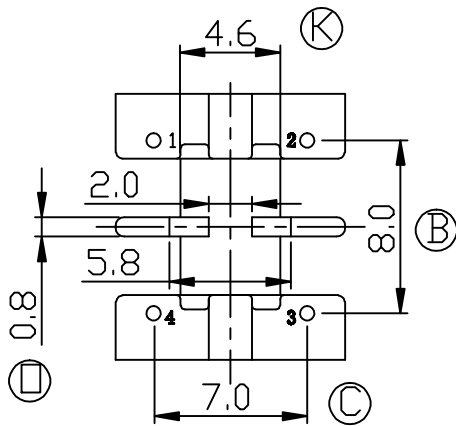
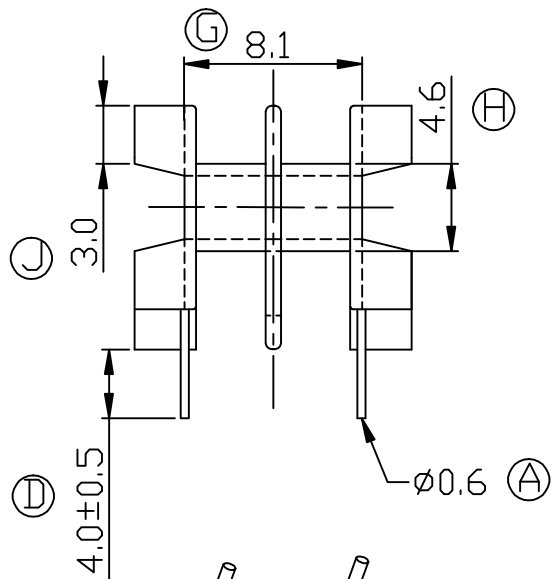
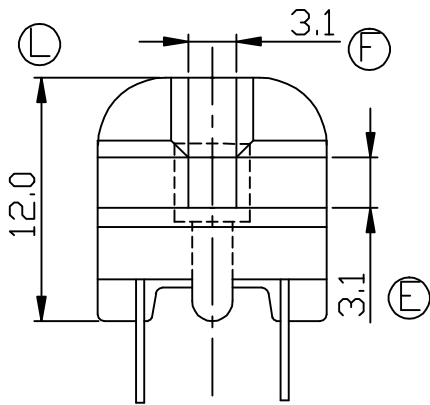
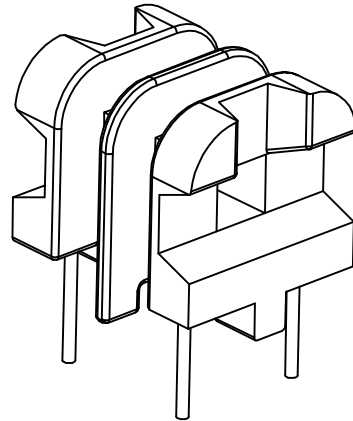
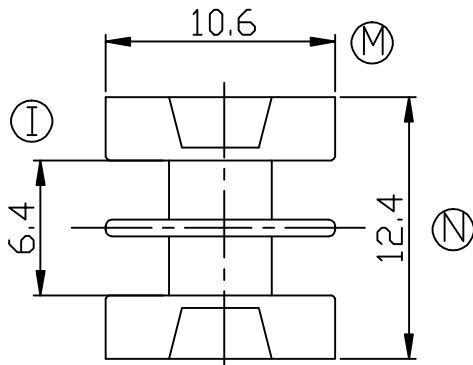


Build up your trust



**TITLE: BOBBIN UU-9.8 (2GROOVES) (4PIN)**

**DRAWING NO: GS-1001-2**

**GEMSTONE 建信電子制品有限公司**  
**GEMSTONE ELECTRONIC PRODUCTS CO., LTD.**

**ADD: 廣東省東莞市石排鎮石崇大道**

**TEL: (0769) 86514918, 86514919 FAX: 86514878**

**TOLERANCES**

0 < L ≤ 4	±0.1	PIN PITCH ±0.2
4 < L ≤ 16	±0.2	
16 < L ≤ 63	±0.3	

**BOBBIN MATERIAL:  
PHENOLIC T375HF**

**PIN MATERIAL:  
CP WIRE**

**UL REC.  
UL 94V-0**

**PIN TENSION LOAD:  
1.0KG MIN**

**UNIT:  
MM**

**SCALE:  
3/1**

**ANGLE:  
±1°**

**DATE:  
2005-1-5**

**REV:  
A0**

**DRAWN:  
XU ZHAN**

**CHECK:  
DAVID**

**APPROVED:**

REV.	PORTION.	BEFORE REV.	AFTER REV.