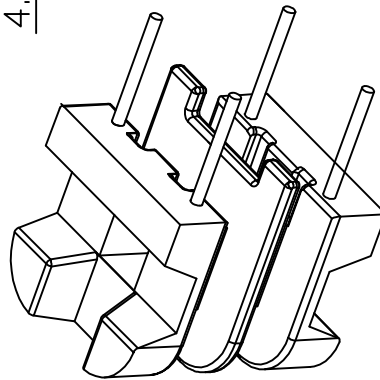
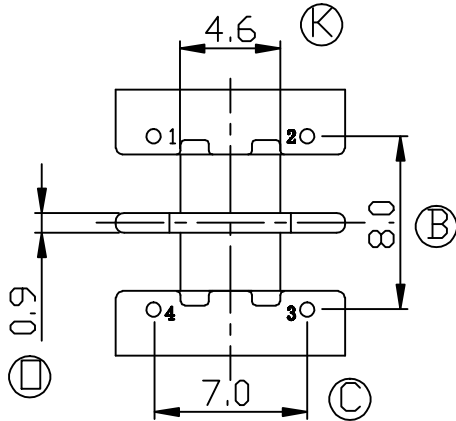
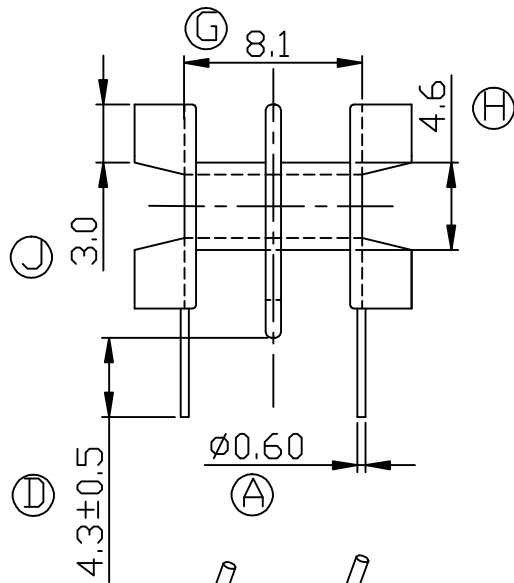
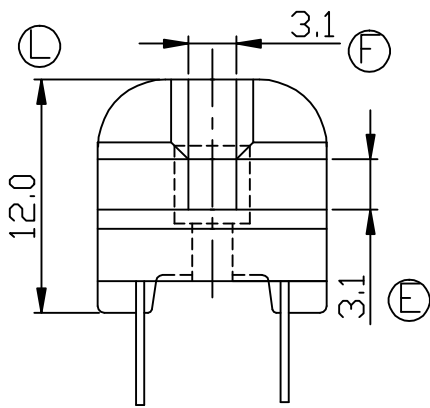
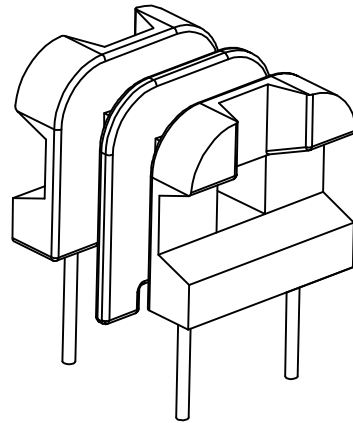
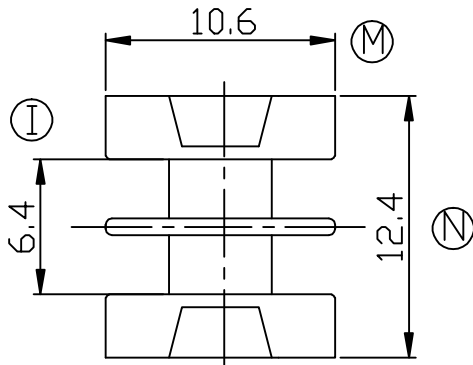


Build up your trust



**TITLE:** UU-9.8 (2GROOVES) (4PIN)  
**DRAWING NO:** GS-1001-4

**GEMSTONE 建信電子制品有限公司**  
**GEMSTONE ELECTRONIC PRODUCTS CO., LTD.**  
**ADD: 廣東省東莞市石排鎮石崇大道**  
**TEL: (0769) 86514918, 86514919 FAX: 86514878**

<b>TOLERANCES</b>		<b>BOBBIN MATERIAL:</b>		<b>UL REC.</b>
0<L≤4	±0.1	<b>PHENOLIC T375HF</b>		<b>UL 94V-0</b>
4<L≤16	±0.2	<b>PIN MATERIAL:</b>		<b>PIN TENSION LOAD:</b>
16<L≤63	±0.3	<b>CP WIRE</b>		<b>1.0KG MIN</b>
<b>UNIT:</b>	<b>SCALE:</b>	<b>ANGLE:</b>	<b>DATE:</b>	<b>REV:</b>
<b>MM</b>	<b>3/1</b>	<b>±1°</b>	<b>2010-03-31</b>	<b>A1</b>
<b>DRAWN:</b>		<b>CHECK:</b>		<b>APPROVED:</b>
<b>XU ZHAN</b>		<b>DAVID</b>		

REV.	PORTION.	BEFORE REV.	AFTER REV.