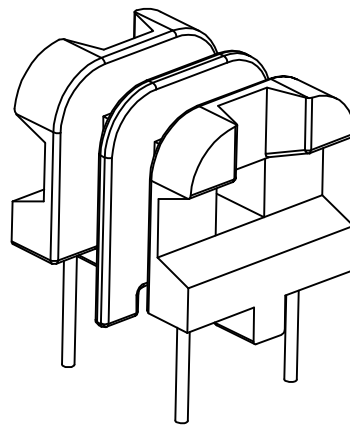
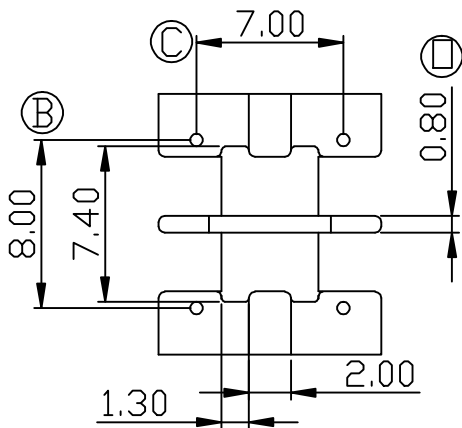
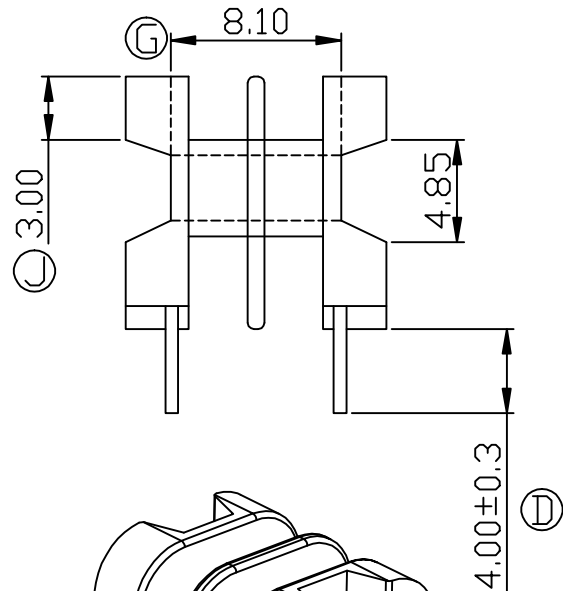
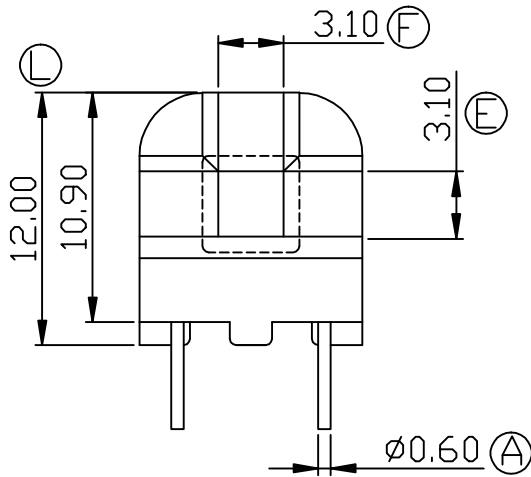
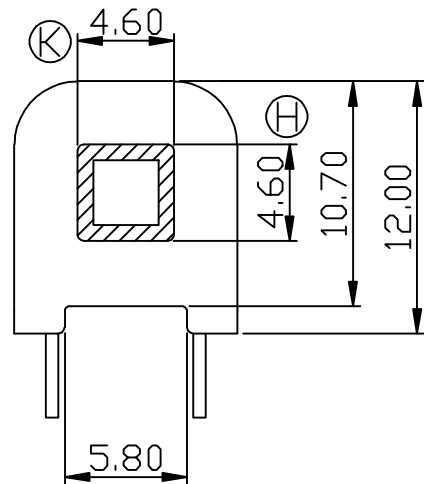
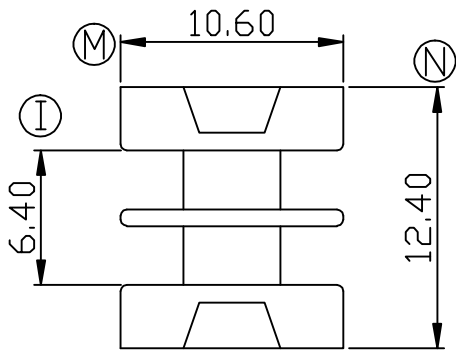


Build up your trust



TITLE: BOBBIN UU-9.8 (2GROOVES) (4PIN)

DRAWING NO: GS-1001-3

GEMSTONE 建信電子制品有限公司
GEMSTONE ELECTRONIC PRODUCTS CO., LTD.

ADD: 廣東省東莞市石排鎮石崇大道

TEL: (0769)86514918, 86514919 FAX:86514878

TOLERANCES

0<L≤4 ±0.1
 4<L≤16 ±0.2
 16<L≤63 ±0.3

PIN PITCH
 ±0.2

BOBBIN MATERIAL:
PHENOLIC T375HF

PIN MATERIAL:
CP WIRE

UL REC.
UL 94V-0

PIN TENSION LOAD:
1.0KG MIN

UNIT:
MM

SCALE:
3/1

ANGLE:
±1°

DATE:
2004/4/15

REV:
A0

DRAWN:
XU ZHAN

CHECK:
XU ZHAN

APPROVED:

REV.	PORTION.	BEFORE REV.	AFTER REV.