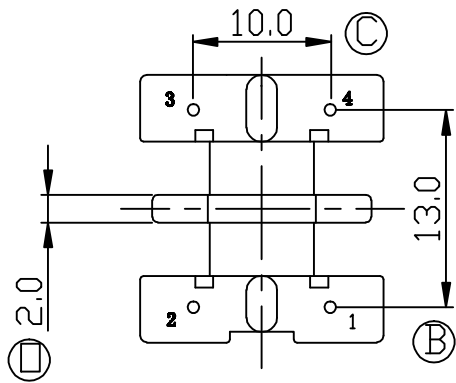
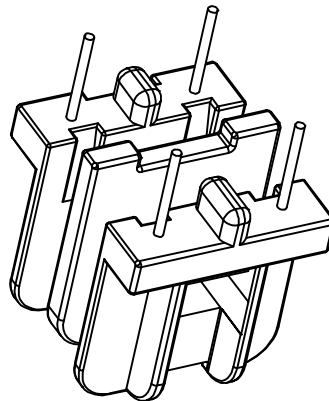
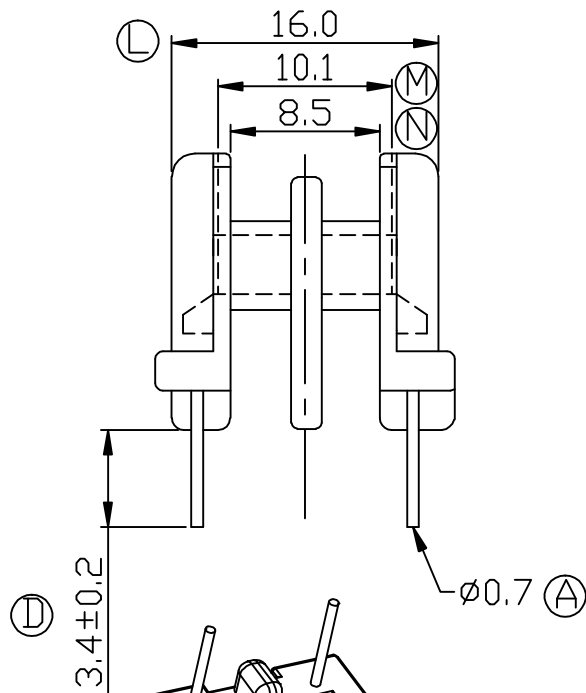
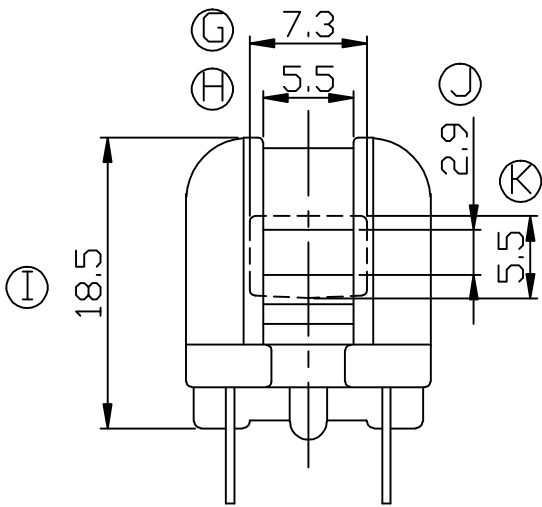
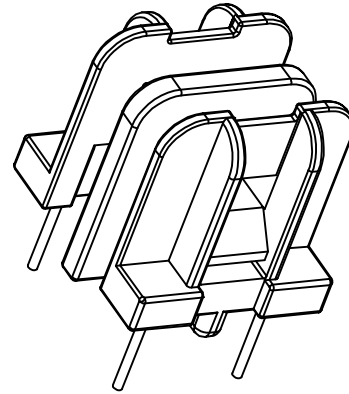
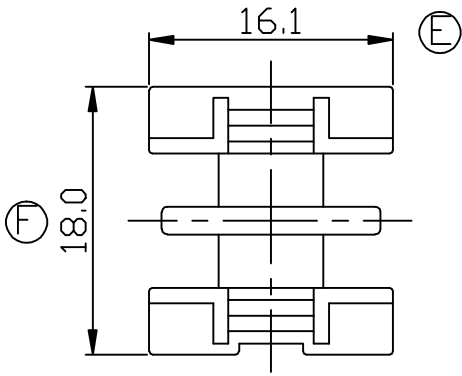


Build up your trust



TITLE: UU-10. 5V (2. 0MM2GROOVES) 4PIN

DRAWING NO: GS-1002

GEMSTONE 建信電子制品有限公司
 GEMSTONE ELECTRONIC PRODUCTS CO., LTD.
 ADD: 廣東省東莞市石排鎮石崇大道
 TEL: (0769) 86514918, 86514919 FAX: 86514878

TOLERANCES		BOBBIN MATERIAL:		UL REC.
0<L≤4	±0.1	PHENOLIC T375HF		UL 94V-0
4<L≤16	±0.2	PIN MATERIAL:		PIN TENSION LOAD:
16<L≤63	±0.3	CP WIRE		1. 5KG MIN
UNIT:	SCALE:	ANGLE:	DATE:	REV:
MM	2/1	±1°	2004/4/15	A0
DRAWN:		CHECK:		APPROVED:
XU ZHAN		DAVID		

REV.	PORTION.	BEFORE REV.	AFTER REV.