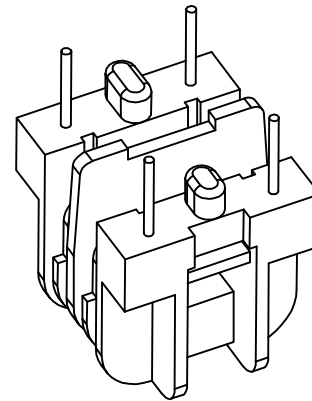
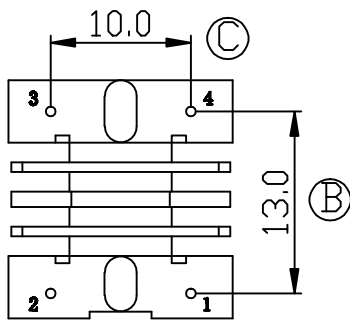
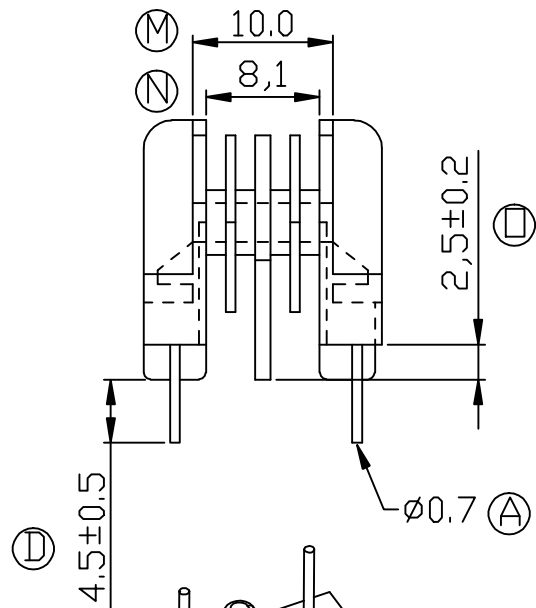
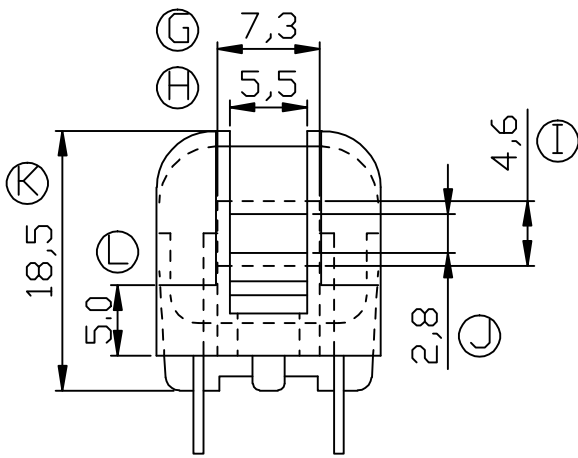
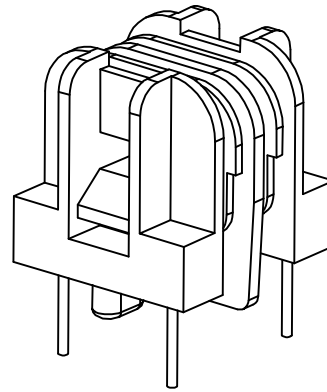
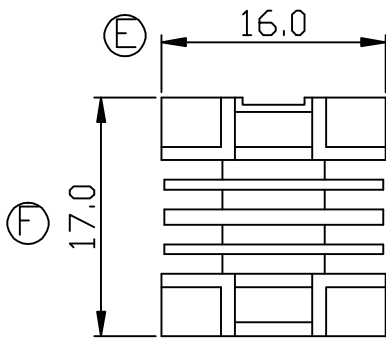



Build up your trust



TITLE: BOBBIN UU-10.5 4PIN		TOLERANCES		BOBBIN MATERIAL:		UL REC.	
DRAWING NO: GS-1003		0 $L \le 4$ ±0.1		PHENOLIC PM9820		UL 94V-0	
 建信電子制品有限公司 GEMSTONE ELECTRONIC PRODUCTS CO., LTD. ADD: 廣東省東莞市石排鎮石崇大道 TEL: (0769) 86514918, 86514919 FAX: 86514878		4 $L \le 16$ ±0.2		PIN MATERIAL:		PIN TENSION LOAD:	
		16 $L \le 63$ ±0.3		CP WIRE		1.5KG MIN	
UNIT: MM		SCALE: 2/1		ANGLE: ±1°		DATE: 2005/12/20	
DRAWN: HZ PING		CHECK: XU ZHAN		REV: A1		APPROVED:	

REV.	PORTION.	BEFORE REV.	AFTER REV.