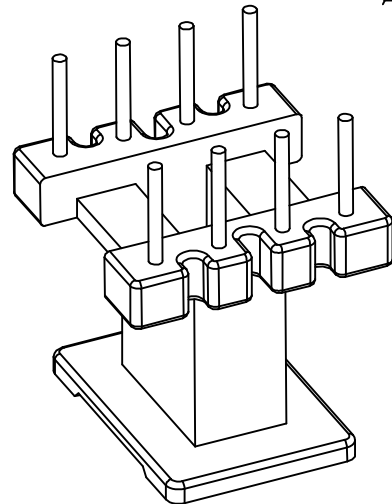
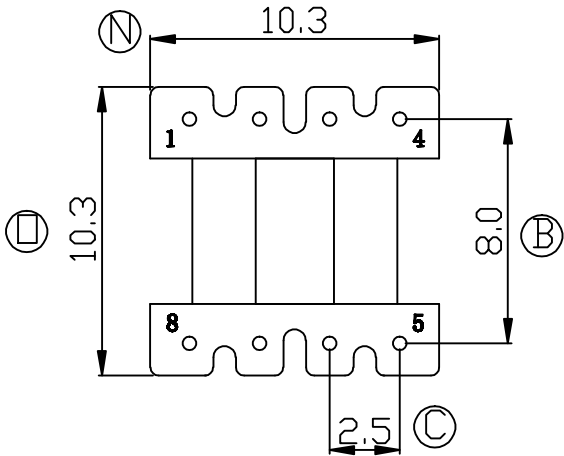
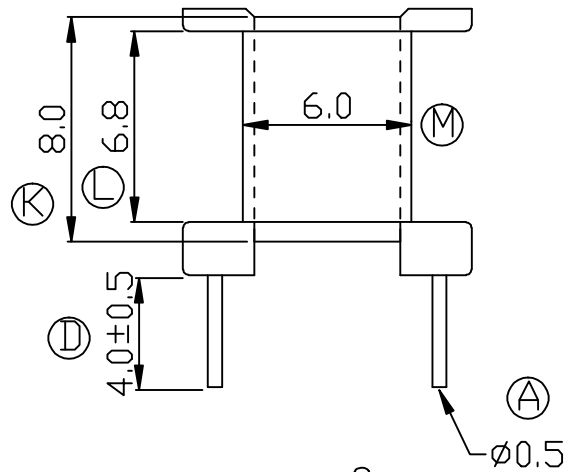
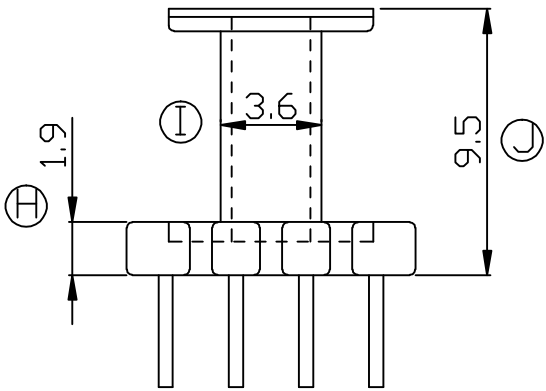
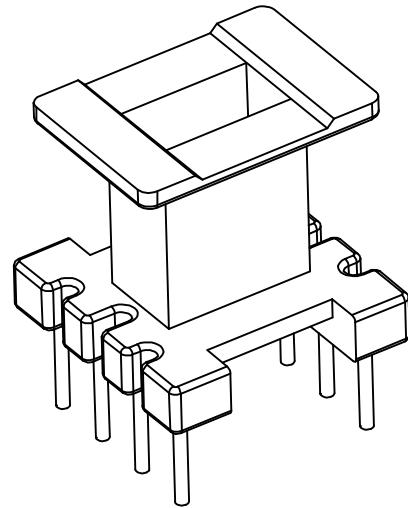
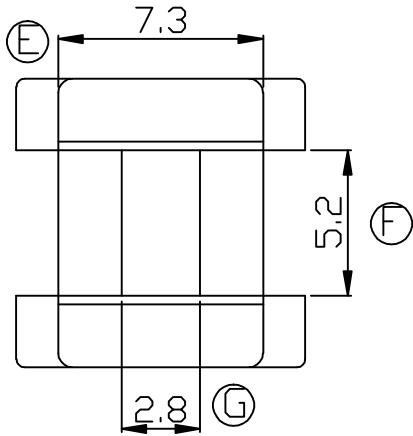



Build up your trust



TITLE: EE-10 8PIN		TOLERANCES		BOBBIN MATERIAL: PHENOLIC PM9820		UL REC. UL 94V-0	
DRAWING NO: GS-1004		0<L≤4 ±0.1	PIN PITCH ±0.2	PIN MATERIAL: CP WIRE		PIN TENSION LOAD: 0.7KG MIN	
 建信電子制品有限公司 GEMSTONE ELECTRONIC PRODUCTS CO., LTD. ADD: 廣東省東莞市石排鎮石崇大道 TEL: (0769)86514918, 86514919 FAX:86514878		4<L≤16 ±0.2		ANGLE: ±1°		DATE: 2004/7/27	
		16<L≤63 ±0.3		REV: A0		APPROVED:	
UNIT: MM		SCALE: 4/1		DRAWN: XU ZHAN		CHECK: DAVID	
REV.		PORTION.		BEFORE REV.		AFTER REV.	

REV.	PORTION.	BEFORE REV.	AFTER REV.