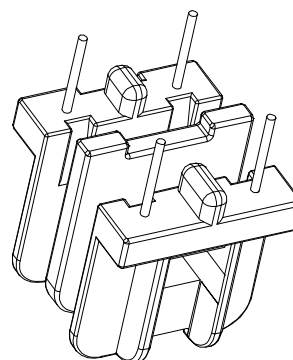
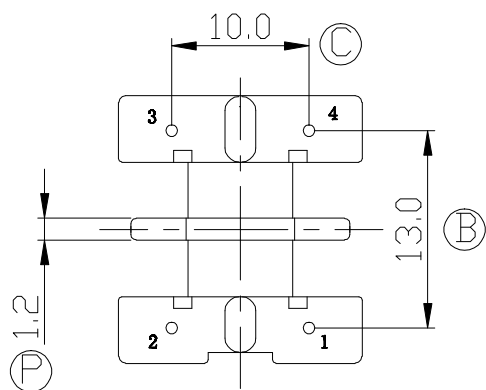
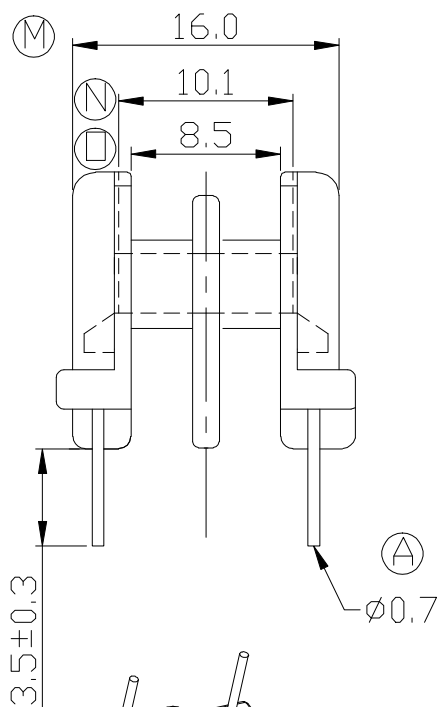
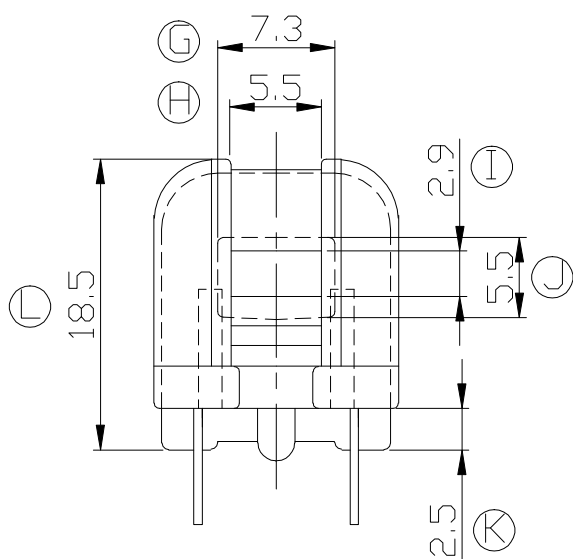
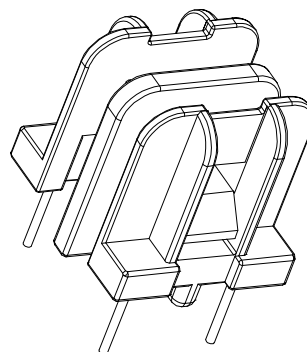
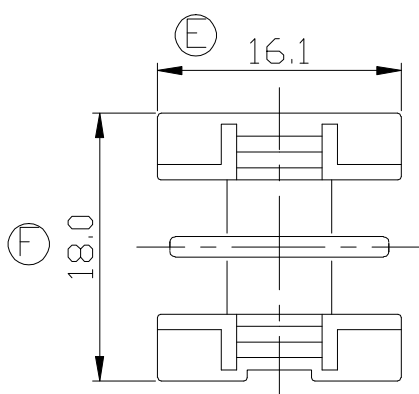


Build up your trust



TITLE: UU-10.5V (1.2MM2GROOVES) 4PIN

DRAWING NO: GS-1005

TOLERANCES

0 <math><L \le 4</math>	± 0.1	PIN PITCH ± 0.2
4 <math><L \le 16</math>	± 0.2	
16 <math><L \le 63</math>	± 0.3	

BOBBIN MATERIAL:
PHENOLIC T375HF

UL REC.
UL 94V-0

PIN MATERIAL:
CP WIRE

PIN TENSION LOAD:
1.5KG MIN



建信電子制品有限公司

GEMSTONE ELECTRONIC PRODUCTS CO., LTD.

ADD: 廣東省東莞市石排鎮石崇大道

TEL: (0769)86514918, 86514919 FAX: 86514878

UNIT:
MM

SCALE:
2/1

ANGLE:
 $\pm 1^\circ$

DATE:
2004/4/15

REV:
A0

DRAWN:
XU ZHAN

CHECK:
DAVID

APPROVED:

REV.

PORTION.

BEFORE REV.

AFTER REV.