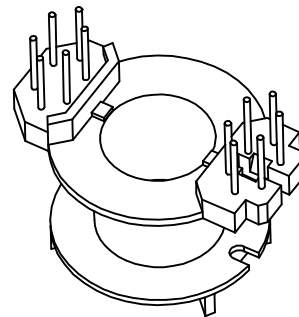
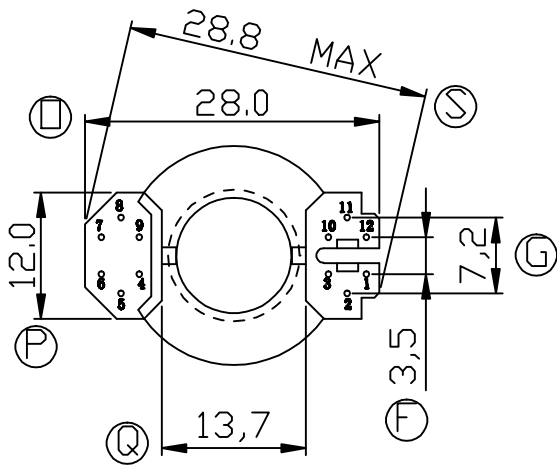
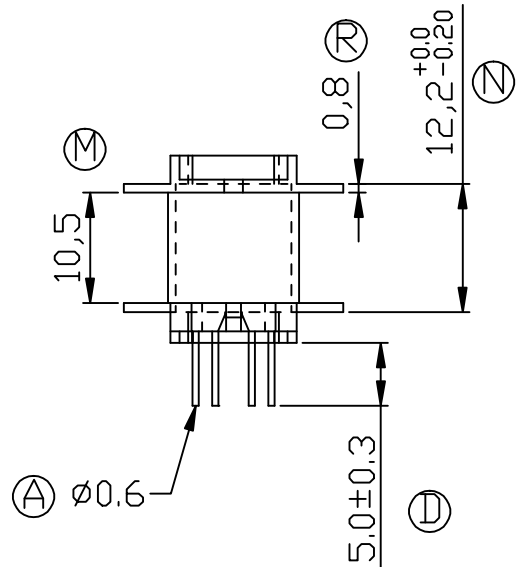
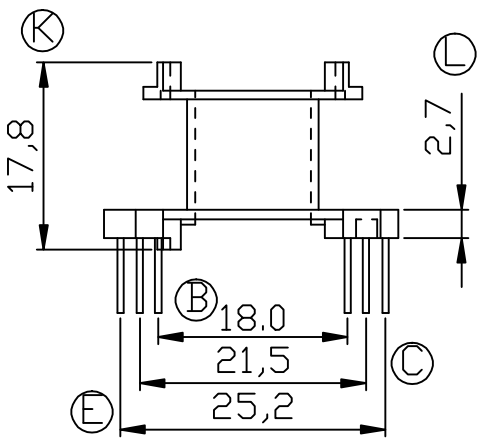
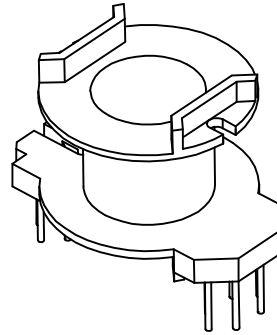
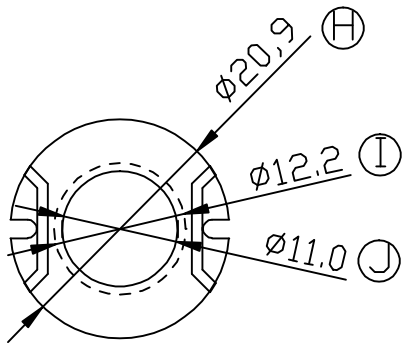


Build up your trust



TITLE: BOBBIN RM-10 12PIN

DRAWING NO: GS-1007

TOLERANCES

0 <math>L \le 4</math>	$\pm 0.1$	PIN PITCH
4 <math>L \le 16</math>	$\pm 0.2$	
16 <math>L \le 63</math>	$\pm 0.3$	

BOBBIN MATERIAL:  
PHENOLIC PM9820

UL REC.  
UL 94V-0

PIN MATERIAL:  
CP WIRE

PIN TENSION LOAD:  
1.0KG MIN

**GEMSTONE** 建信電子制品有限公司  
GEMSTONE ELECTRONIC PRODUCTS CO., LTD.

UNIT:  
MM

SCALE:  
2/1

ANGLE:  
 $\pm 1^\circ$

DATE:  
2005/9/15

REV:  
A2

ADD: 廣東省東莞市石排鎮石崇大道

DRAWN:  
XU ZHAN

CHECK:  
DAVID

APPROVED:

TEL: (0769) 86514918, 86514919 FAX: 86514878

REV.	PORTION.	BEFORE REV.	AFTER REV.