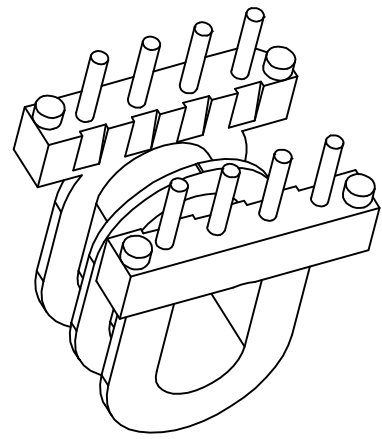
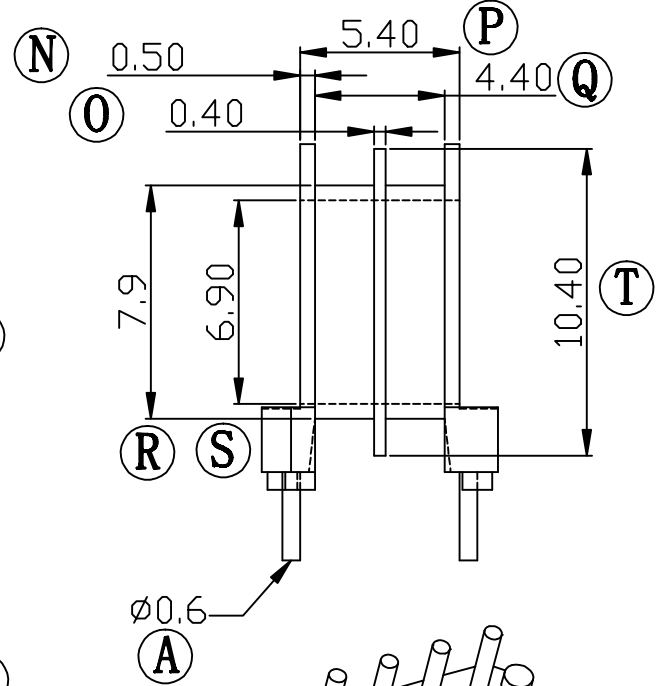
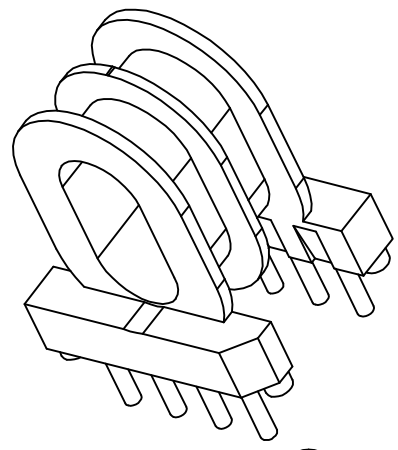
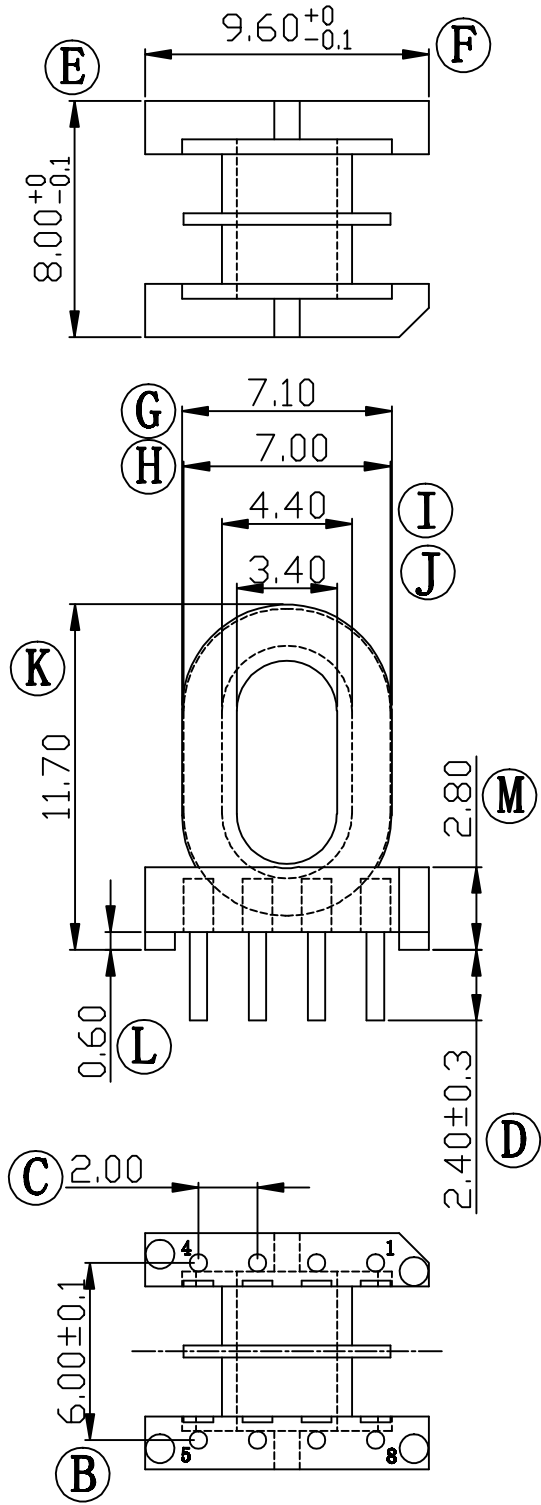


Build up your trust



TITLE:	EOP-9.8 (8PIN)		TOLERANCES	BOBBIN MATERIAL:	UL REC.
DRAWING NO:	GS-1008		0<L≤4 ±0.1	LCP E4008	UL 94V-0
 建信電子制品有限公司 GEMSTONE ELECTRONIC PRODUCTS CO., LTD. ADD: 廣東省東莞市石排鎮石崇大道 TEL: (0769)86514918, 86514919 FAX: 86514878			4<L≤16 ±0.2	PIN MATERIAL:	PIN TENSION LOAD:
			16<L≤63 ±0.3	CP WIRE	1.0KG MIN
UNIT:	MM	SCALE:	4/1	ANGLE:	DATE:
				±1°	2005/8/12
				REV:	A0
		DRAWN:	LI CHENGDA	CHECK:	XU ZHAN
				APPROVED:	

REV.	PORTION.	BEFORE REV.	AFTER REV.