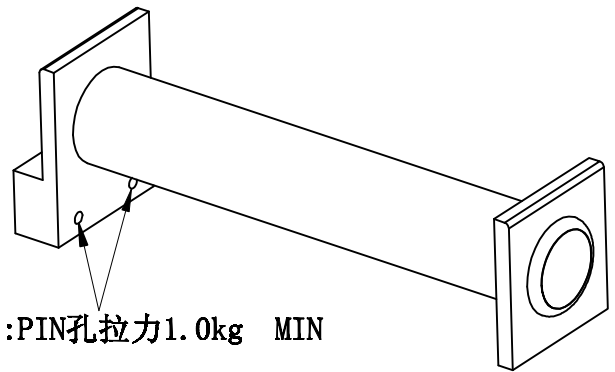
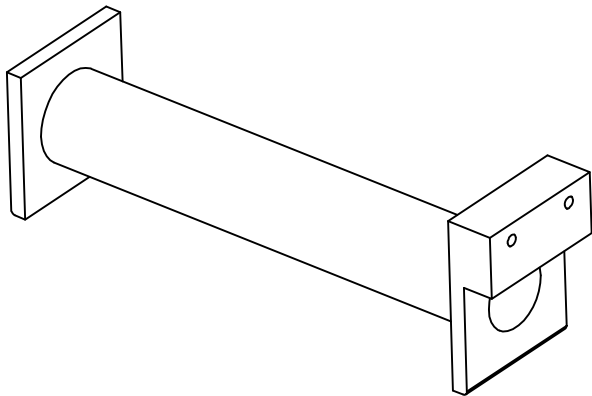
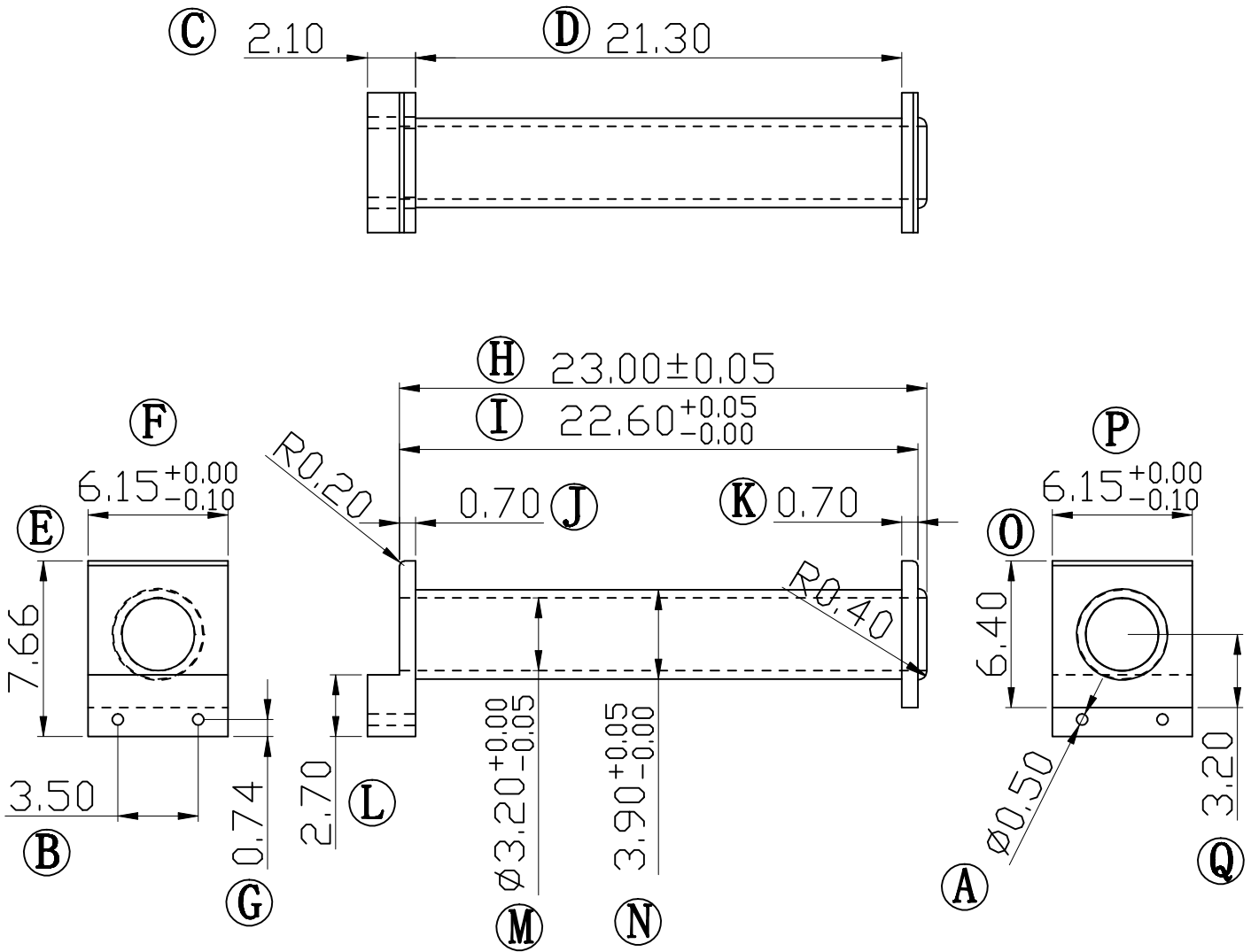


Build up your trust



注: PIN孔拉力1.0kg MIN

TITLE: BOBBIN EF-W-100

DRAWING NO: GS-1010

TOLERANCES

$0 < L \leq 4 \pm 0.1$   
 $4 < L \leq 16 \pm 0.2$   
 $16 < L \leq 63 \pm 0.3$

PIN PITCH  
 $\pm 0.2$

BOBBIN MATERIAL:

LCP E4008 (BK)

UL REC.

UL 94 V-0

PIN MATERIAL:

PIN TENSION LOAD:



建信電子制品有限公司

GEMSTONE ELECTRONIC PRODUCTS CO., LTD.

ADD: 廣東省東莞市石排鎮石崇大道

TEL: (0769) 86514918, 86514919 FAX: 86514878

UNIT:

MM

SCALE:

4/1

ANGLE:

$\pm 1^\circ$

DATE:

2007/01/17

REV:

A0

DRAWN:

WRZ

CHECK:

XU ZHAN

APPROVED:

REV.

PORTION.

BEFORE REV.

AFTER REV.