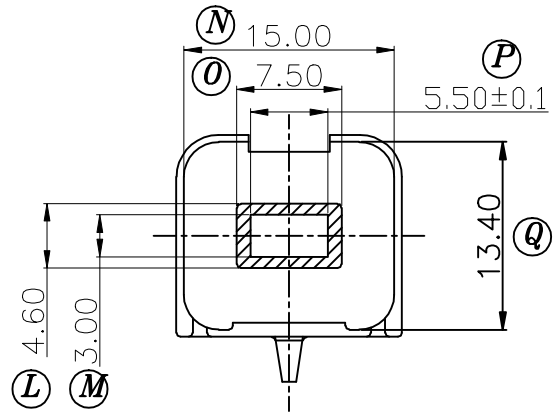
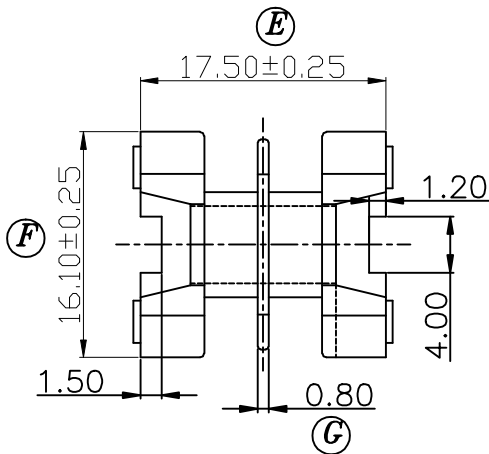
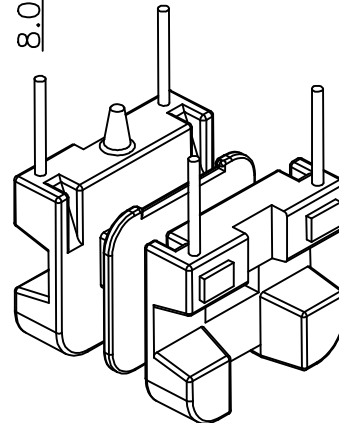
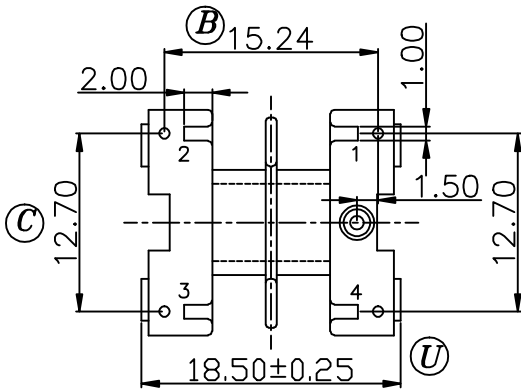
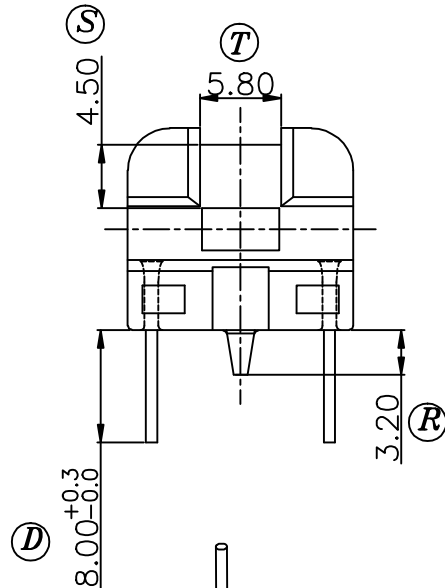
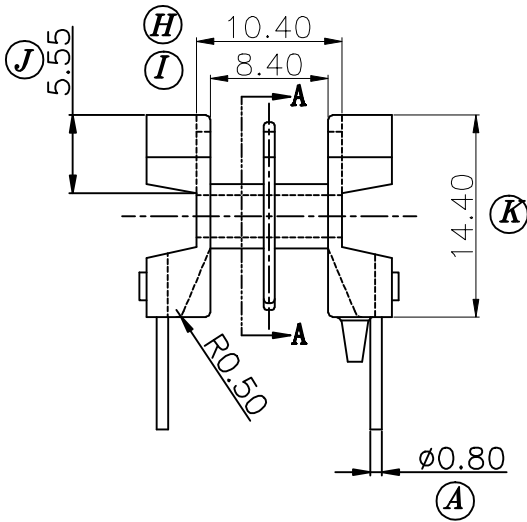



Build up your trust



SEC A-A



TITLE: <b>BOBBIN UU-10 4PIN</b>		TOLERANCES		BOBBIN MATERIAL: <b>PM9630</b>		UL REC. <b>UL 94V-0</b>	
DRAWING NO: <b>070-5372(GS-1011)</b>		0<L≤4 ±0.1	PIN PITCH ±0.2	PIN MATERIAL: <b>PHOSPHOR BRONZE</b>		PIN TENSION LOAD: <b>1.0KG MIN</b>	
 <b>建信電子制品有限公司</b> GEMSTONE ELECTRONIC PRODUCTS CO., LTD. ADD: 廣東省東莞市石排鎮石崇大道 TEL: (0769)86514918, 86514919 FAX:86514878		4<L≤16 ±0.2		ANGLE: <b>±1°</b>		DATE: <b>2008/05/22</b>	
		16<L≤63 ±0.3		REV: <b>A2</b>		APPROVED:	
UNIT: <b>MM</b>		SCALE: <b>2/1</b>		DRAWN: <b>XU ZHAN</b>		CHECK: <b>XU ZHAN</b>	

REV.	PORTION.	BEFORE REV.	AFTER REV.