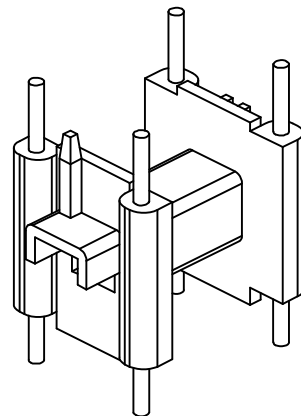
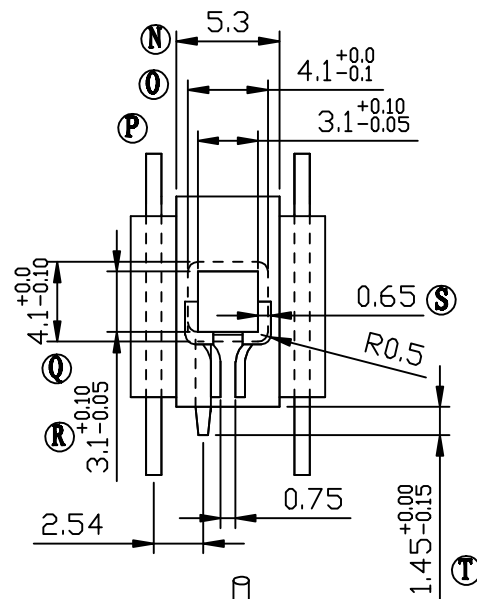
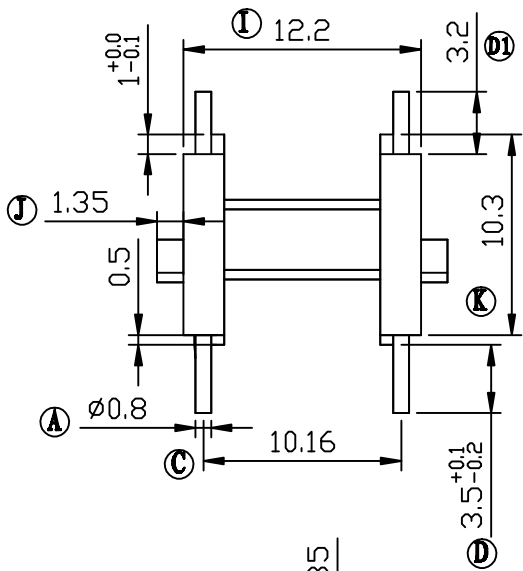
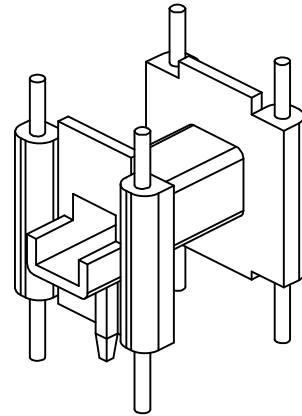
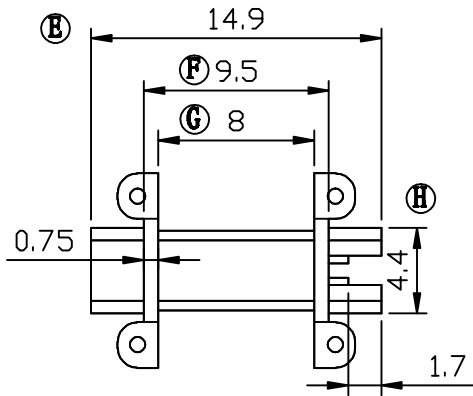


Build up your trust



TITLE: BOBBIN UU-10 4PIN		TOLERANCES		BOBBIN MATERIAL: PM9820		UL REC. UL 94V-0	
DRAWING NO: GS-1012(65-UU10-03)		0<L≤4 ±0.1 4<L≤16 ±0.2 16<L≤63 ±0.3		PIN PITCH ±0.2		PIN MATERIAL: CP WIRE	
PIN TENSION LOAD: 1.5KG MIN		UNIT: MM		SCALE: 2/1		ANGLE: ±1°	
DATE: 2009/4/2		DRAWN: XU ZHAN		CHECK: XU ZHAN		REV: A0	
APPROVED:		APPROVED:		APPROVED:		APPROVED:	

**GEMSTONE** 建信電子制品有限公司  
 GEMSTONE ELECTRONIC PRODUCTS CO., LTD.  
 ADD: 廣東省東莞市石排鎮石崇大道  
 TEL: (0769)86514918, 86514919 FAX:86514878

REV.	PORTION.	BEFORE REV.	AFTER REV.