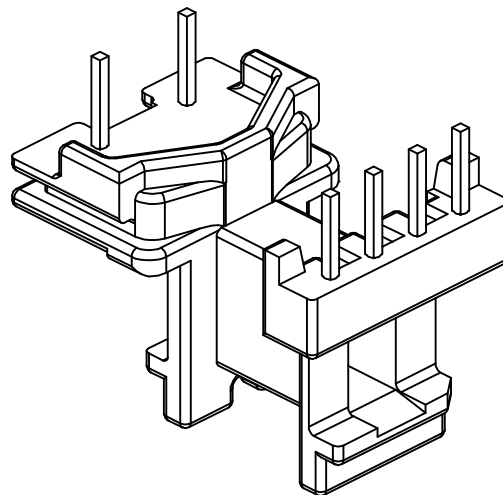
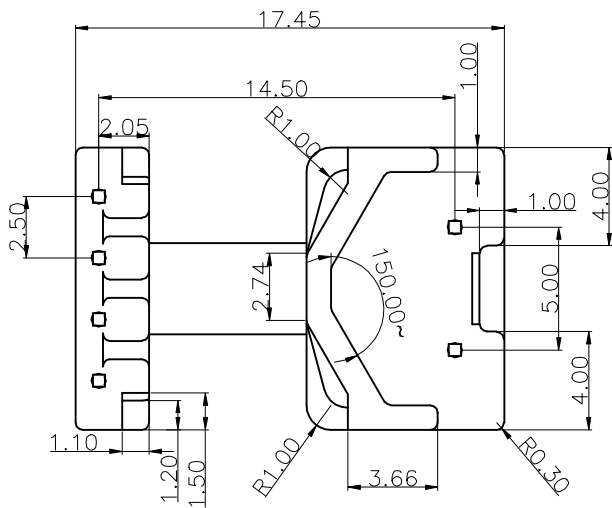
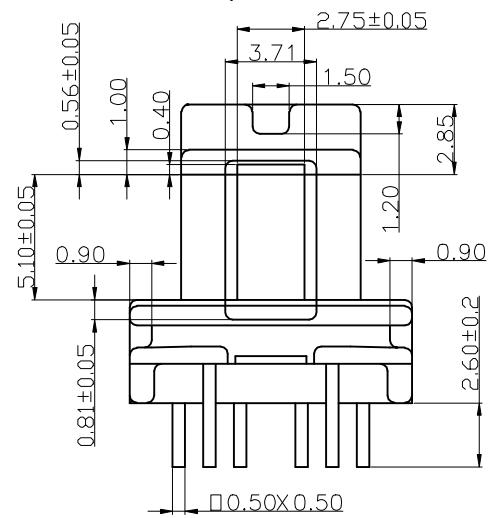
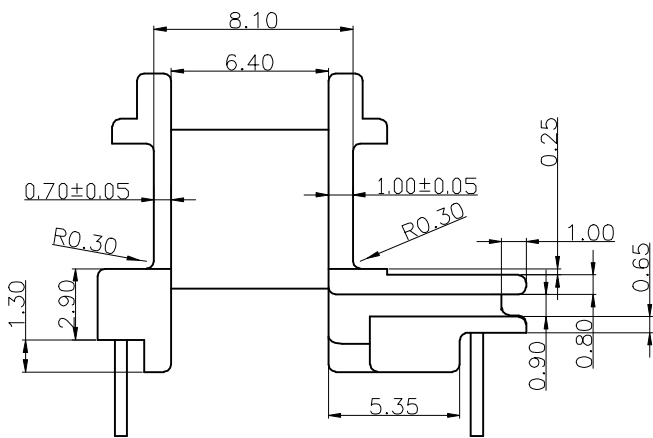
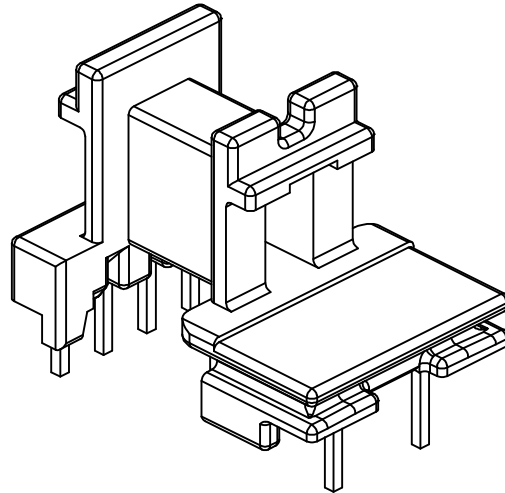
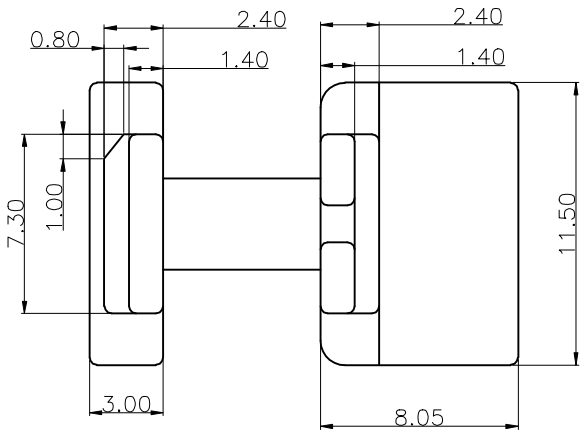


Build up your trust



TITLE: BOBBIN EE-10 6PIN

DRAWING NO: GS-1013



建信電子制品有限公司

GEMSTONE ELECTRONIC PRODUCTS CO., LTD.

ADD: 廣東省東莞市石排鎮石崇大道

TEL: (0769) 86514918, 86514919 FAX: 86514878

TOLERANCES

±0.10

PIN PITCH  
±0.1

UNIT:

MM

SCALE:

4/1

DRAWN:

L. W

BOBBIN MATERIAL:  
PM9820

PIN MATERIAL:  
CP WIRE

ANGLE:

±1°

DATE:

2009/12/8

CHECK:

XU ZHAN

UL REC.  
UL 94V-0

PIN TENSION LOAD:  
1.0KG MIN

REV:

A0

APPROVED:

XU ZHAN

REV.	PORTION.	BEFORE REV.	AFTER REV.