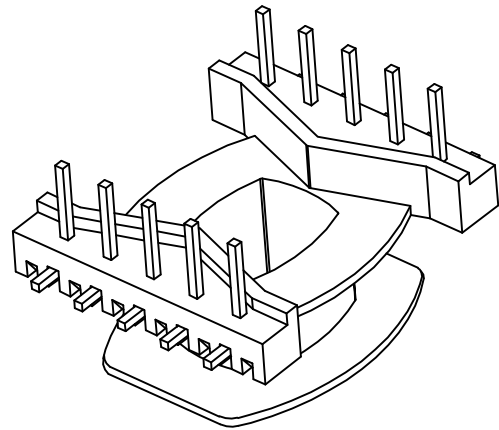
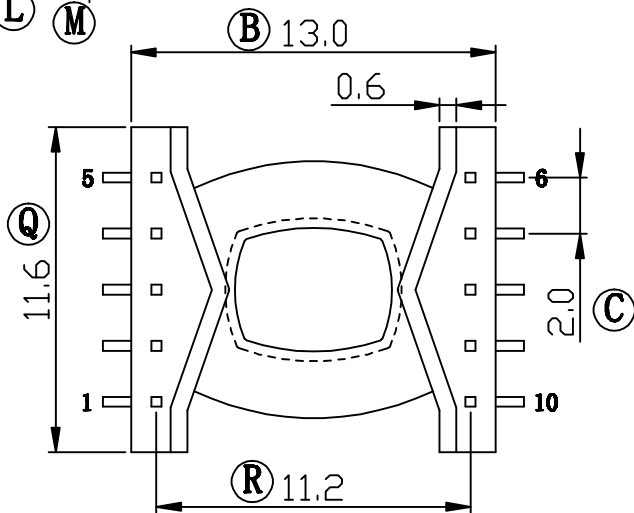
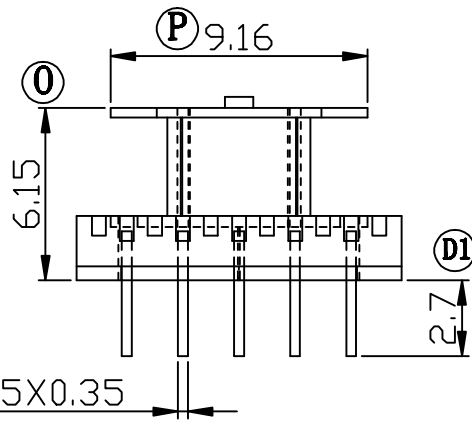
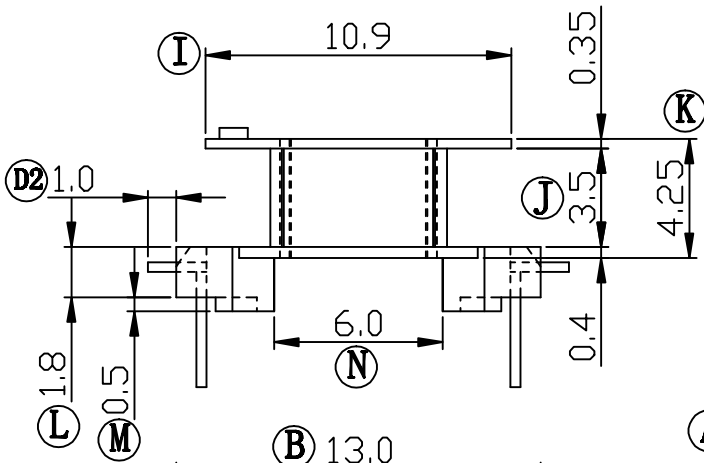
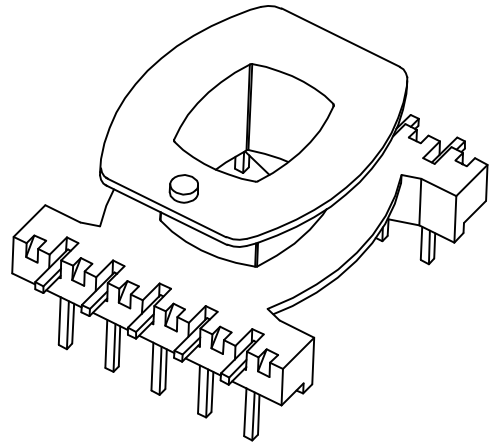
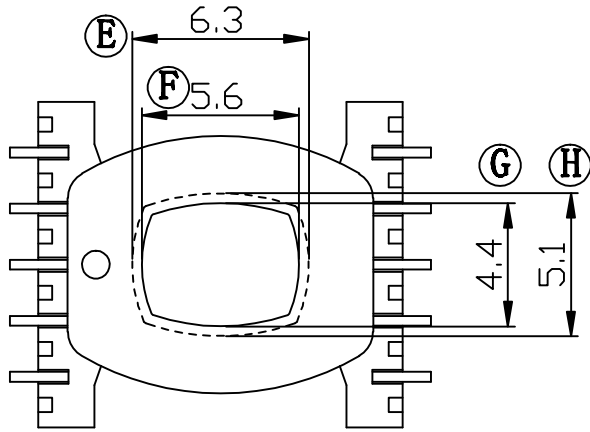


Build up your trust



TITLE: BOBBIN NEF11.6*6		TOLERANCES		BOBBIN MATERIAL: DAP CD-F-800		UL REC. UL 94V-0	
DRAWING NO: GS-1101		± 0.1	PIN PITCH ± 0.2	PIN MATERIAL: CP WIRE		PIN TENSION LOAD: 0.8KG MIN	
 建信電子制品有限公司 GEMSTONE ELECTRONIC PRODUCTS CO., LTD. ADD: 廣東省東莞市石排鎮石崇大道 TEL: (0769)86514918, 86514919 FAX:86514878	UNIT: MM	SCALE: 4/1	ANGLE: ± 1°	DATE: 2005/4/29	REV: A0		
	DRAWED: XU ZHAN		CHECK: DAVID		APPROVED:		

REV.	PORTION.	BEFORE REV.	AFTER REV.