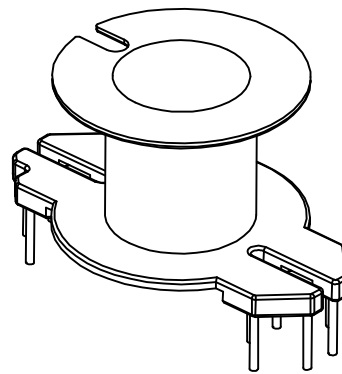
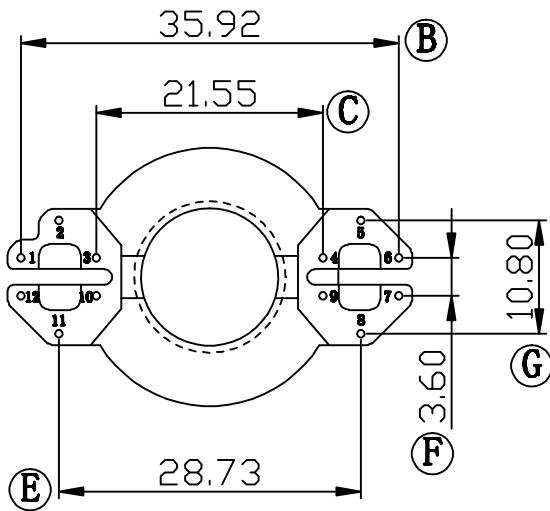
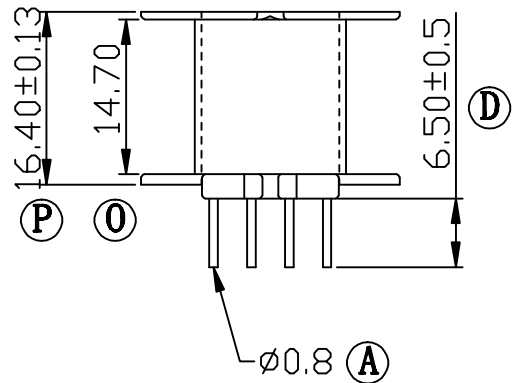
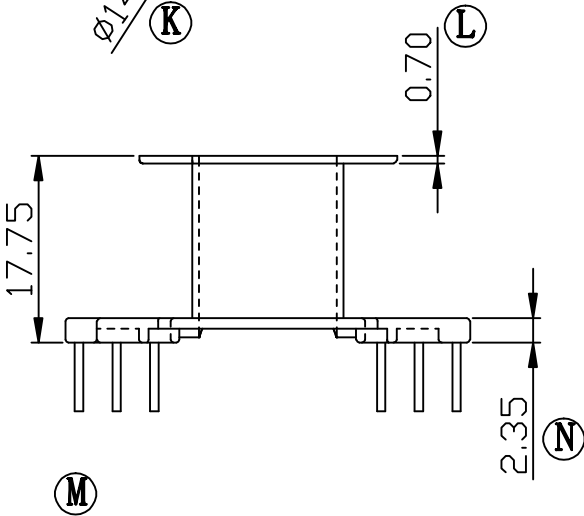
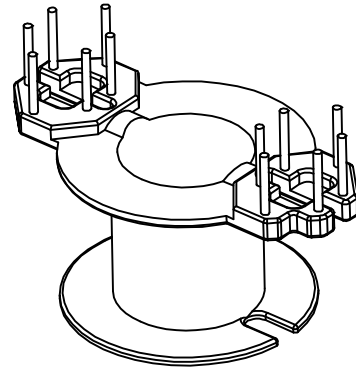
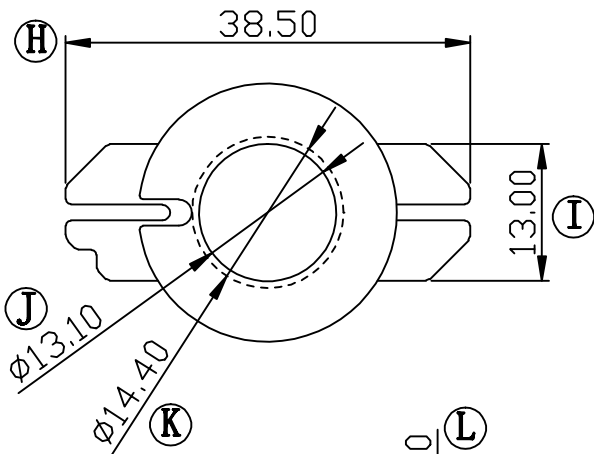


Build up your trust



TITLE: RM-12 12PIN		TOLERANCES		BOBBIN MATERIAL: PHENOLIC PM9630		UL REC. UL 94V-0	
DRAWING NO: GS-1201		0<L≤4 ±0.1	PIN PITCH ±0.2	PIN MATERIAL: CP WIRE		PIN TENSION LOAD: 1.5KG MIN	
		4<L≤16 ±0.2					
		16<L≤63 ±0.3		UNIT: MM	SCALE: 1.5/1	ANGLE: ±1°	DATE: 2006/12/04
				DRAWN: XU ZHAN		CHECK: DAVID	REV: A1
						APPROVED:	

GEMSTONE 建信電子制品有限公司
 GEMSTONE ELECTRONIC PRODUCTS CO., LTD.
 ADD: 廣東省東莞市石排鎮石崇大道
 TEL: (0769)86514918, 86514919 FAX: 86514878

REV.	PORTION.	BEFORE REV.	AFTER REV.