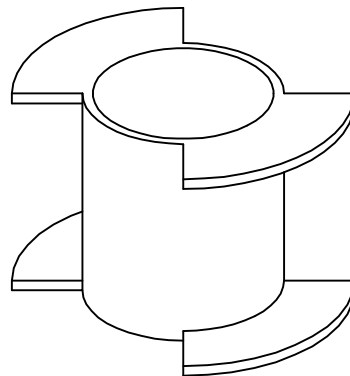
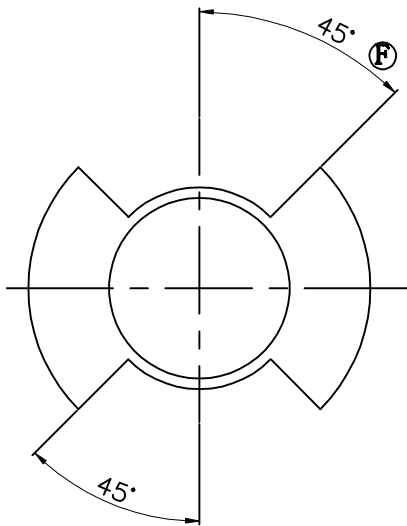
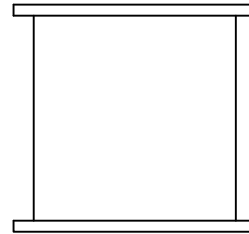
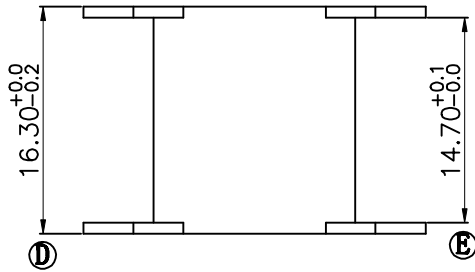
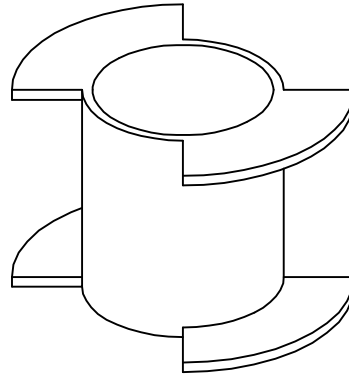
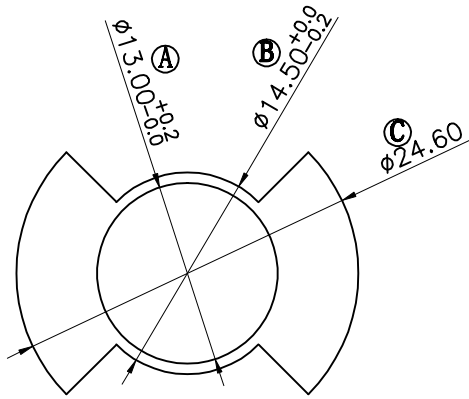


Build up your trust



TITLE: BOBBIN RM-12

DRAWING NO: 10009783 (GS-1204)

GEMSTONE 建信電子制品有限公司
 GEMSTONE ELECTRONIC PRODUCTS CO., LTD.
 ADD: 廣東省東莞市石排鎮石崇大道
 TEL: (0769) 86514918, 86514919 FAX: 86514878

TOLERANCES

0$L \leq 4$ ± 0.1
 4$L \leq 16$ ± 0.2
 16$L \leq 63$ ± 0.3

PIN PITCH
 ± 0.1

BOBBIN MATERIAL:
 PET FR530 BK

PIN MATERIAL:

UL REC:
 UL 94V-0

PIN TENSION LOAD:

UNIT:
 MM

SCALE:
 4/1

ANGLE:
 $\pm 1^\circ$

DATE:
 2009/12/25

REV:
 A0

DRAWN:
 L. W

CHECK:
 XU ZHAN

APPROVED:
 XU ZHAN

REV.	PORTION.	BEFORE REV.	AFTER REV.