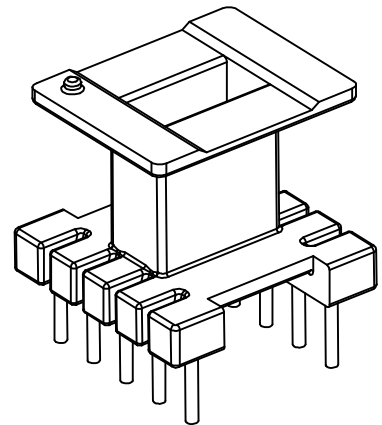
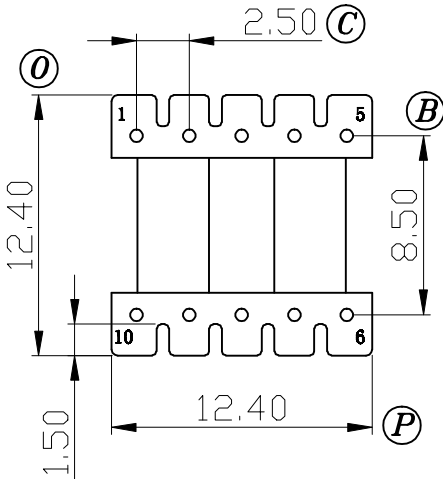
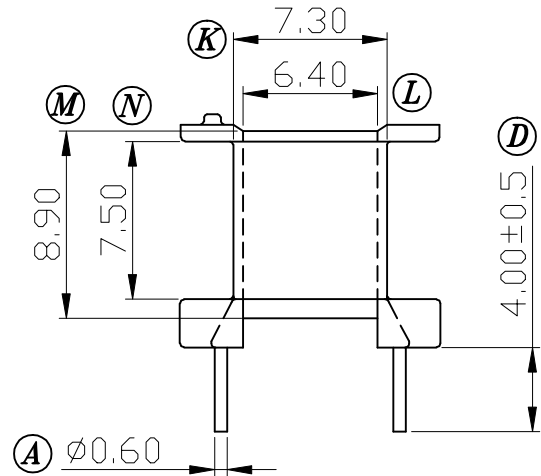
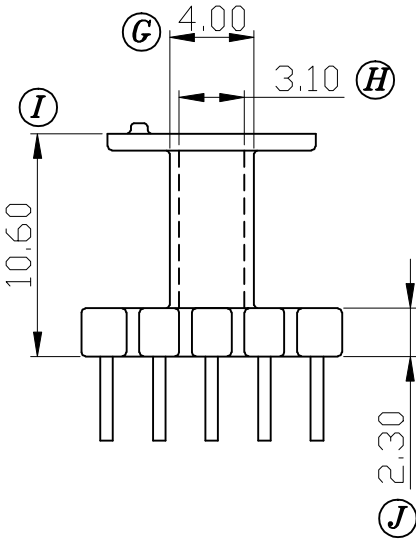
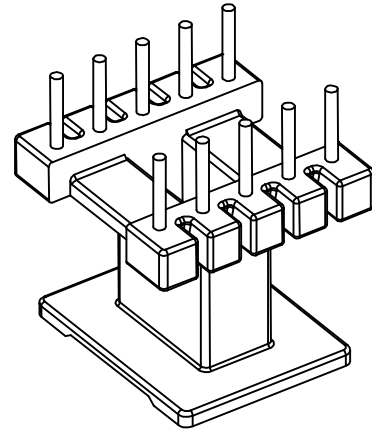
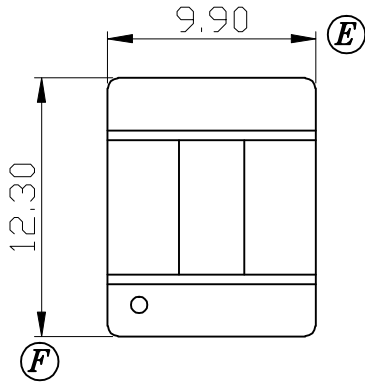



Build up your trust



TITLE: BOBBIN EI-13 (10PIN)		TOLERANCES		BOBBIN MATERIAL: PHENOLIC CP-J-8800		UL REC. UL 94V-0	
DRAWING NO: GS-1301		0<L≤4 ±0.1	PIN PITCH ±0.2	PIN MATERIAL: CP WIRE		PIN TENSION LOAD: 1.0KG MIN	
		4<L≤16 ±0.2		16<L≤63 ±0.3			
 建信電子制品有限公司 GEMSTONE ELECTRONIC PRODUCTS CO., LTD. ADD: 廣東省東莞市石排鎮石崇大道 TEL: (0769)86514918, 86514919 FAX:86514878		UNIT: MM	SCALE: 3/1	ANGLE: ±1°	DATE: 2009/06/10	REV: A1	
		DRAWN: XU ZHAN		CHECK: XU ZHAN		APPROVED:	

REV.	PORTION.	BEFORE REV.	AFTER REV.