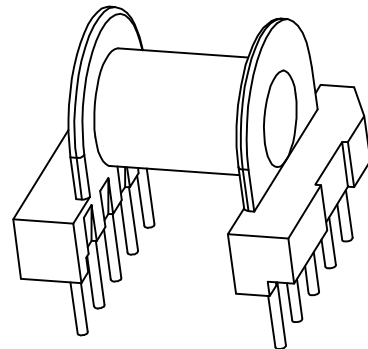
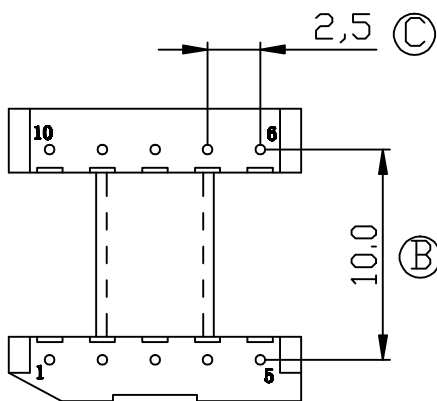
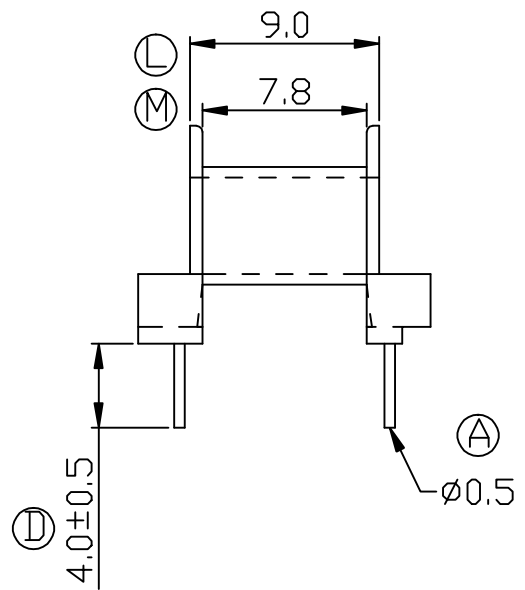
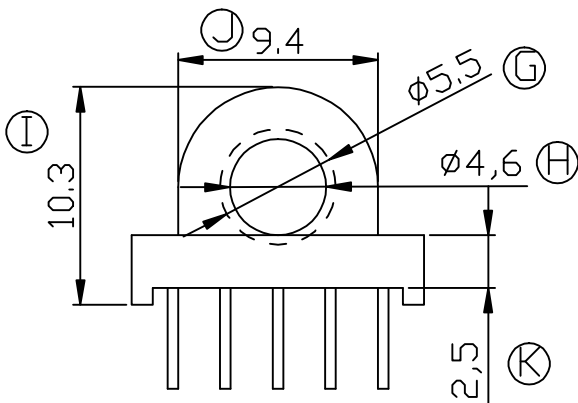
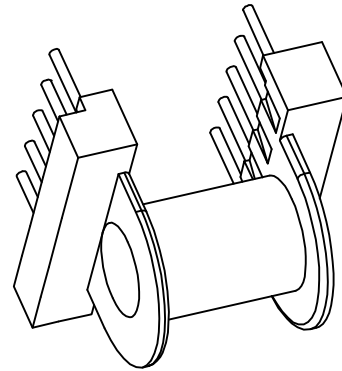
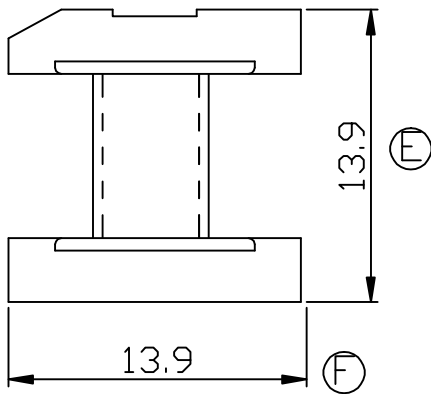


Build up your trust



TITLE: BOBBIN EP-13 10PIN

DRAWING NO: GS-1302

TOLERANCES

0 $L \le 4$ ± 0.1
 4 $L \le 16$ ± 0.2
 16 $L \le 63$ ± 0.3

PIN PITCH
 ± 0.2

BOBBIN MATERIAL:
 PHENOLIC PM9820

PIN MATERIAL:
 CP WIRE

UL REC:
 UL 94V-0

PIN TENSION LOAD:
 1.0KG MIN



建信電子制品有限公司

GEMSTONE ELECTRONIC PRODUCTS CO., LTD.

ADD: 廣東省東莞市石排鎮石崇大道

TEL: (0769) 86514918, 86514919 FAX: 86514878

UNIT:
 MM

SCALE:
 2/1

ANGLE:
 $\pm 1^\circ$

DATE:
 2004/11/18

REV:
 A0

DRAWN:
 XU ZHAN

CHECK:
 DAVID

APPROVED:

REV.

PORTION

BEFORE REV.

AFTER REV.