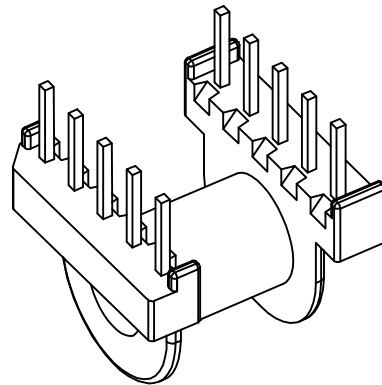
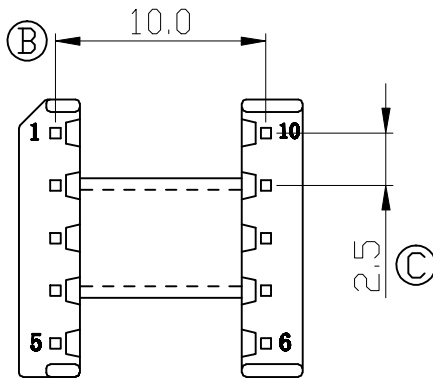
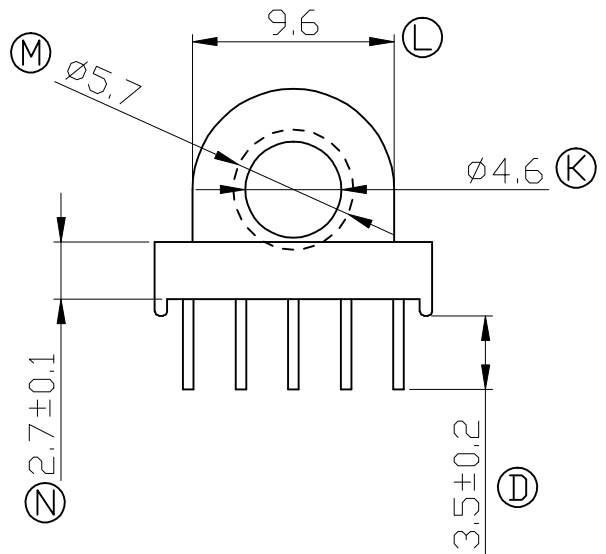
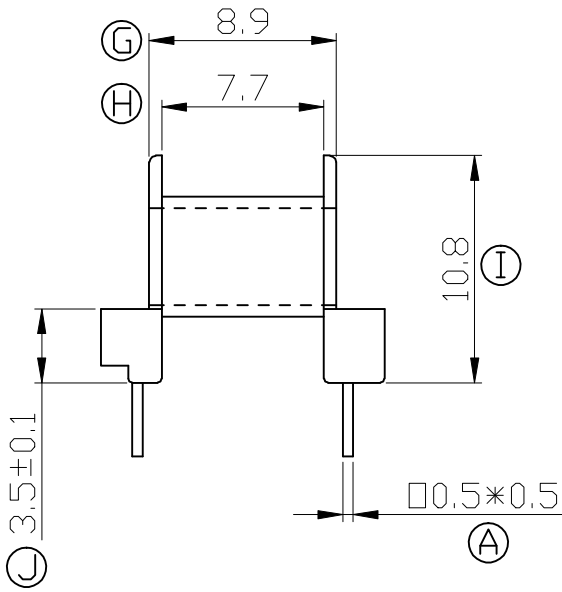
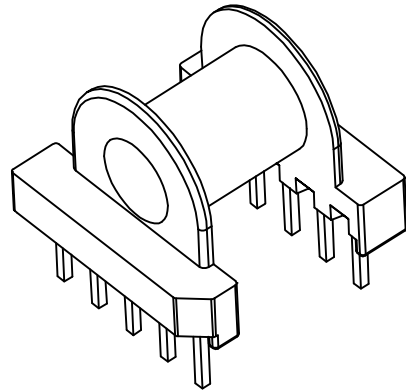
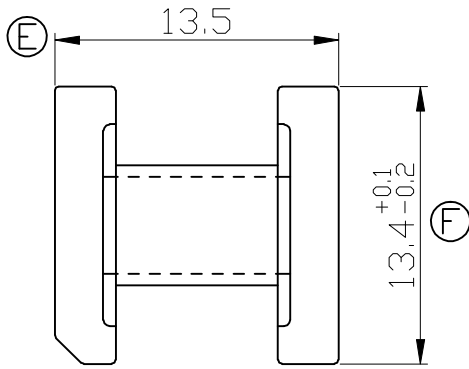


Build up your trust



TITLE: EP-13 10PIN

DRAWING NO: GS-1302-1

TOLERANCES

0 $L \le 4$	± 0.1	PIN PITCH ± 0.2
4 $L \le 16$	± 0.2	
16 $L \le 63$	± 0.3	

BOBBIN MATERIAL:
PHENOLIC PM9820

UL REC.
UL 94V-0

PIN MATERIAL:
CP WIRE

PIN TENSION LOAD:
1.5KG MIN



建信電子制品有限公司

GEMSTONE ELECTRONIC PRODUCTS CO., LTD.

ADD: 廣東省東莞市石排鎮石崇大道

TEL: (0769)86514918, 86514919 FAX: 86514878

UNIT:
MM

SCALE:
3/1

ANGLE:
 $\pm 1^\circ$

DATE:
2009/07/01

REV:
A2

DRAWN:
XU ZHAN

CHECK:
XU ZHAN

APPROVED:

REV.	PORTION.	BEFORE REV.	AFTER REV.