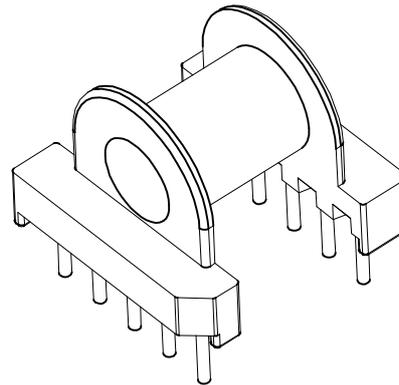
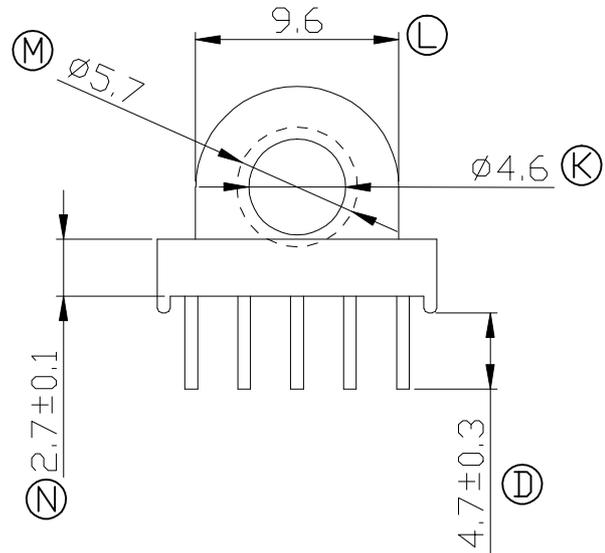
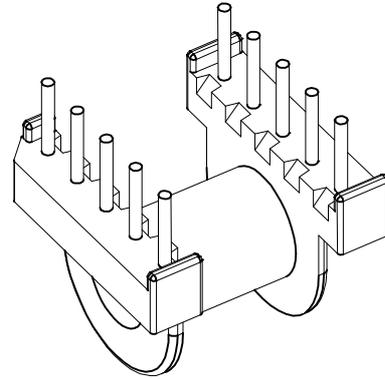
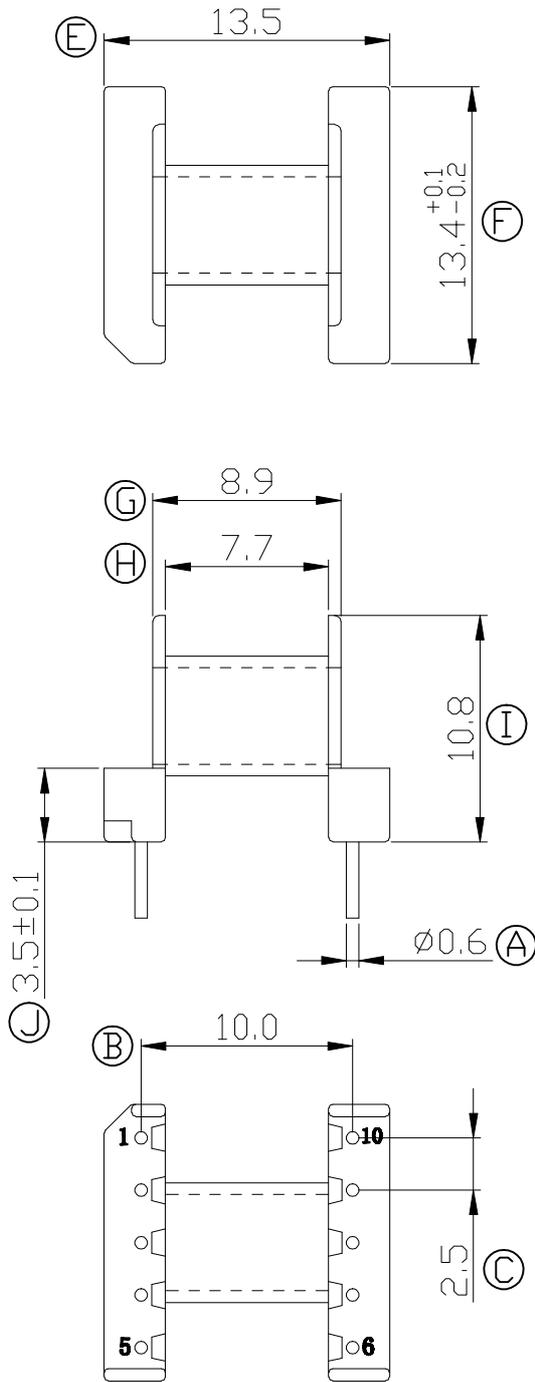


Build up your trust



TITLE: EP-13 10PIN		TOLERANCES		BOBBIN MATERIAL: PHENOLIC PM9820		UL REC: UL 94V-0	
DRAWING NO: GS-1302-2		0 < L ≤ 4 ± 0.1	PIN PITCH ± 0.2	PIN MATERIAL: CP WIRE		PIN TENSION LOAD: 1.5KG MIN	
 建信電子制品有限公司 GEMSTONE ELECTRONIC PRODUCTS CO., LTD. ADD: 廣東省東莞市石排鎮石崇大道 TEL: (0769)86514918, 86514919 FAX: 86514878		4 < L ≤ 16 ± 0.2		UNIT: MM	SCALE: 3/1	ANGLE: ± 1°	DATE: 2009/07/01
		16 < L ≤ 63 ± 0.3	DRAWN: XU ZHAN		CHECK: XU ZHAN		APPROVED:

REV.	PORTION.	BEFORE REV.	AFTER REV.