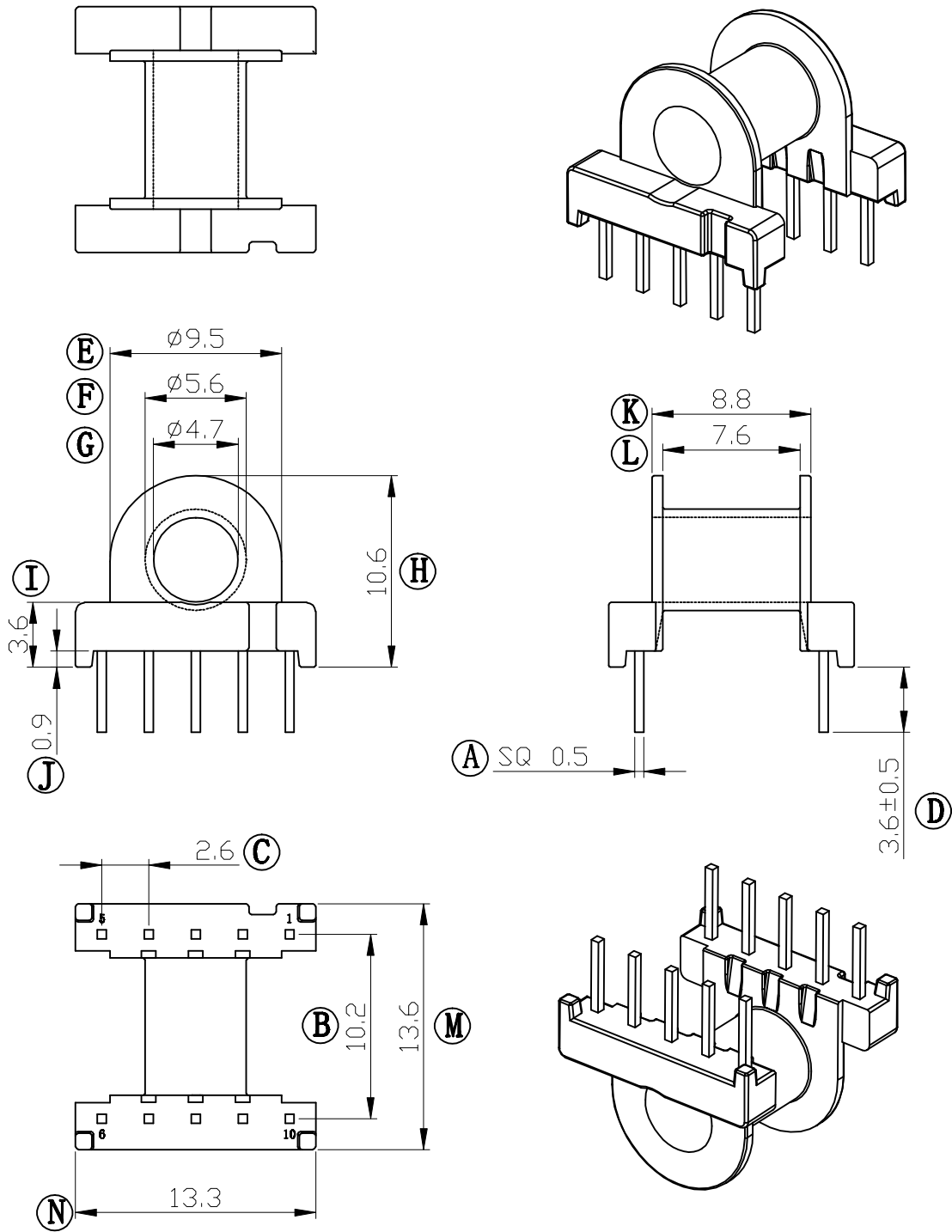


Build up your trust



TITLE: BOBBIN EP-13 10PIN

DRAWING NO: GS-1302-3

GEMSTONE 建信電子制品有限公司
GEMSTONE ELECTRONIC PRODUCTS CO., LTD.

ADD: 廣東省東莞市石排鎮石崇大道

TEL: (0769) 86514918, 86514919 FAX: 86514878

TOLERANCES

0 $L \leq 4$	± 0.1	PIN PITCH ± 0.2
4 $L \leq 16$	± 0.2	
16 $L \leq 63$	± 0.3	

BOBBIN MATERIAL:
PHENOLIC PM9820

UL REC.
UL 94V-0

PIN MATERIAL:
CP WIRE

PIN TENSION LOAD:
1.0KG MIN

UNIT:
MM

SCALE:
3/1

ANGLE:
 $\pm 1^\circ$

DATE:
2009/10/28

REV:
A3

DRAWN:
L. W

CHECK:
XU ZHAN

APPROVED:

REV.	PORTION.	BEFORE REV.	AFTER REV.