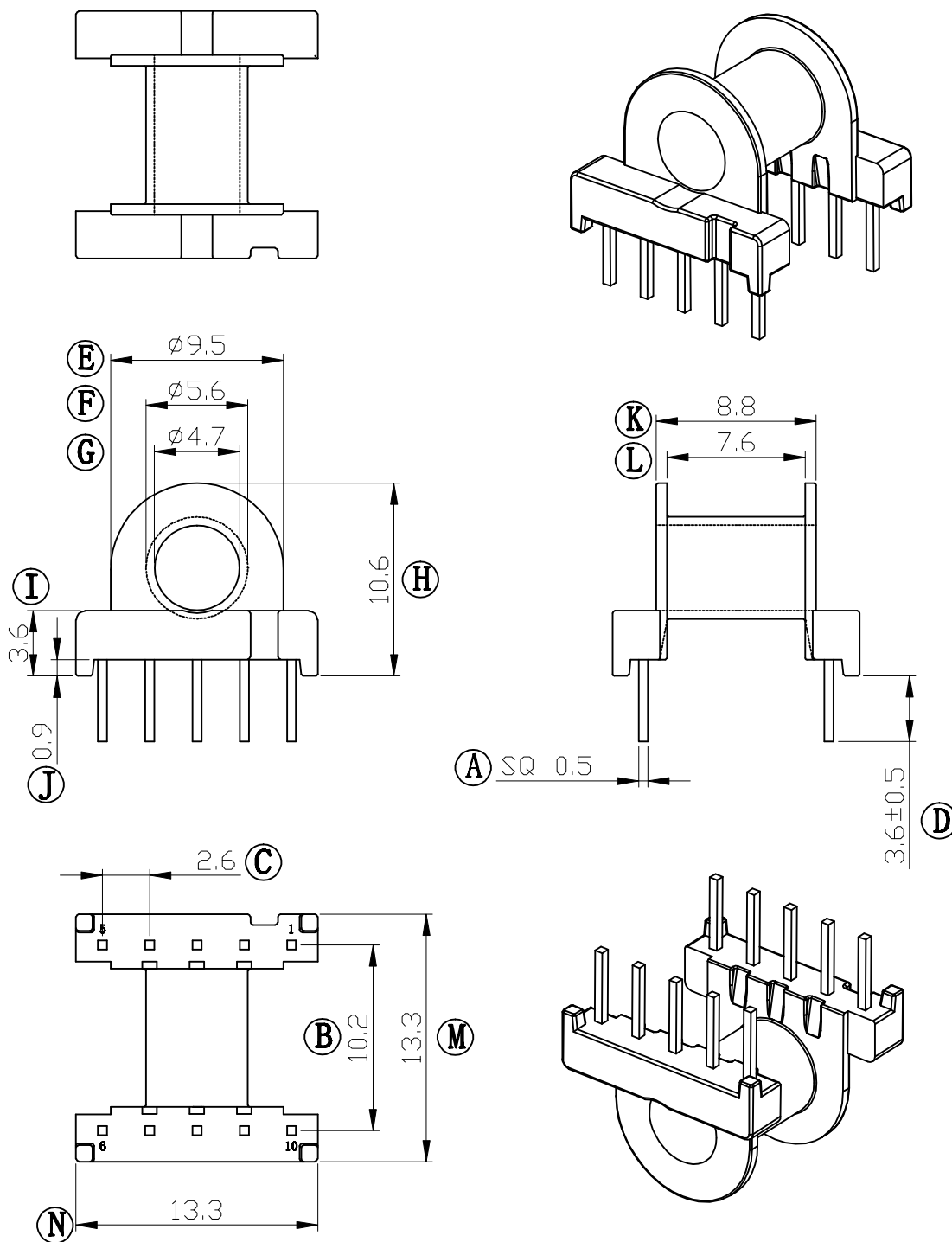


Build up your trust



TITLE: BOBBIN EP-13 10PIN

DRAWING NO: GS-1302-6

**GEMSTONE** 建信電子制品有限公司  
 GEMSTONE ELECTRONIC PRODUCTS CO., LTD.  
 ADD: 廣東省東莞市石排鎮石崇大道  
 TEL: (0769) 86514918, 86514919 FAX: 86514878

TOLERANCES		BOBBIN MATERIAL: PHENOLIC PM9820		UL REC. UL 94V-0
0<L≤1.2 ±0.05	PIN PITCH ±0.2	PIN MATERIAL: CP WIRE		PIN TENSION LOAD: 1.0KG MIN
1.2<L≤10 ±0.10				
10<L≤... ±0.15				
UNIT: MM	SCALE: 3/1	ANGLE: ±1°	DATE: 2009/12/01	REV: A0
DRAWN: L. W		CHECK: XU ZHAN		APPROVED:

REV.	PORTION.	BEFORE REV.	AFTER REV.