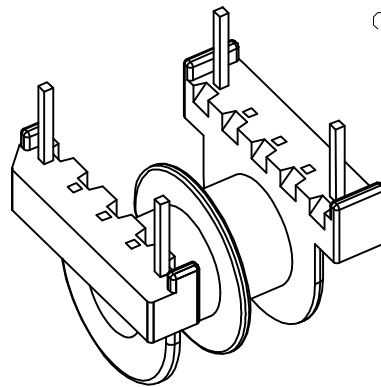
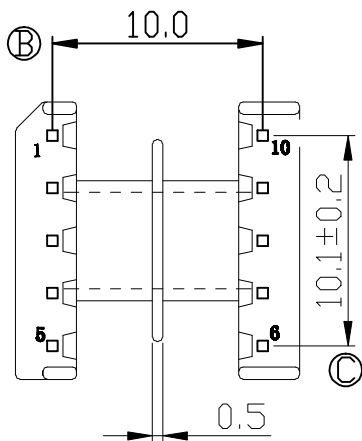
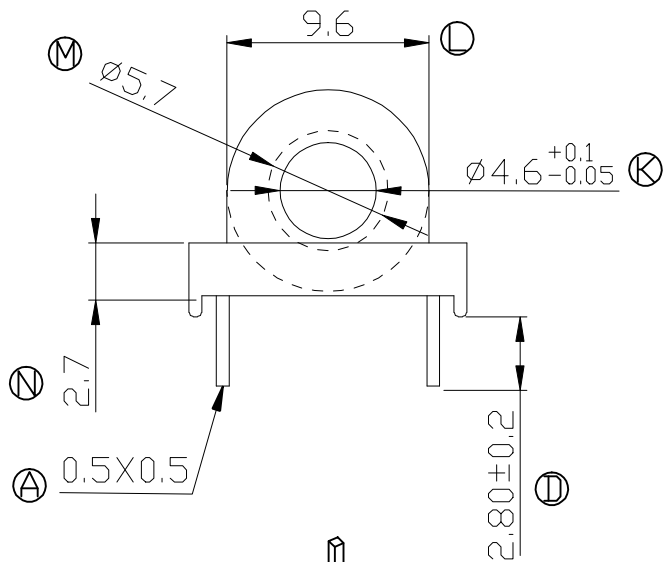
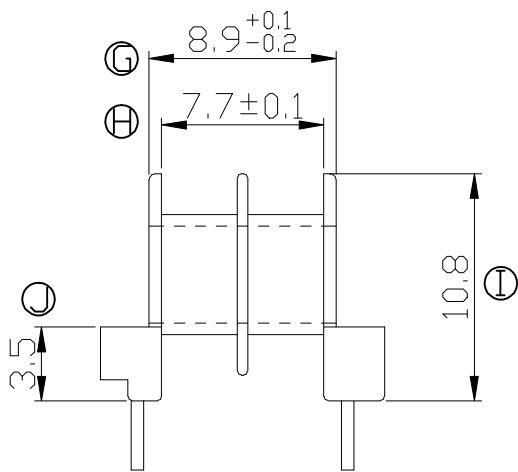
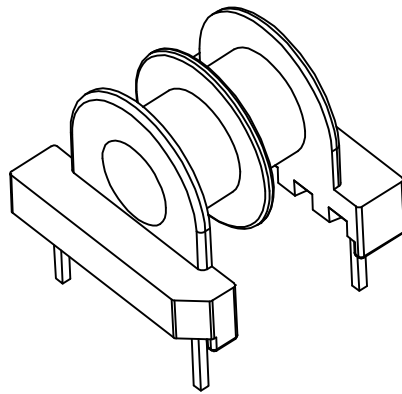
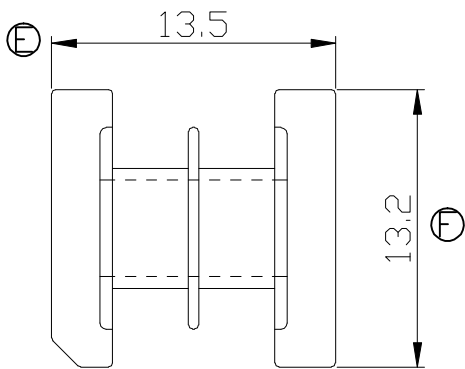


Build up your trust



TITLE: BOBBIN EP-13(2 SEC) 10PIN

DRAWING NO: GS-1302-7

TOLERANCES

0 $L \le 4$ ±0.1
4 $L \le 16$ ±0.2
16 <math>L < 63</math> ±0.3

PIN PITCH
±0.2

BOBBIN MATERIAL:
PHENOLIC PM9820

PIN MATERIAL:
CP WIRE

UL REC.
UL 94V-0

PIN TENSION LOAD:
1.0KG MIN



建信電子制品有限公司

GEMSTONE ELECTRONIC PRODUCTS CO., LTD.

ADD: 廣東省東莞市石排鎮石崇大道

TEL: (0769)86514918, 86514919 FAX: 86514878

UNIT:
MM

SCALE:
3/1

ANGLE:
±1°

DATE:
2010/8/12

REV:
A0

DRAWN:
XU ZHAN

CHECK:
XU ZHAN

APPROVED:

REV.

PORTION

BEFORE REV.

AFTER REV.