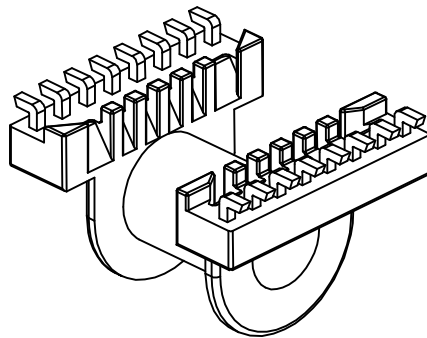
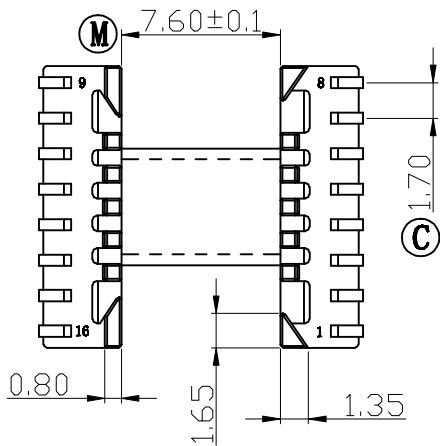
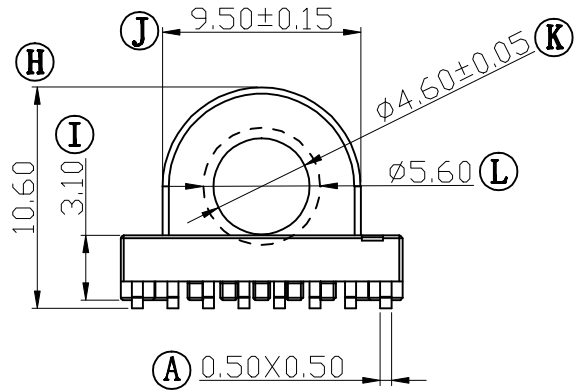
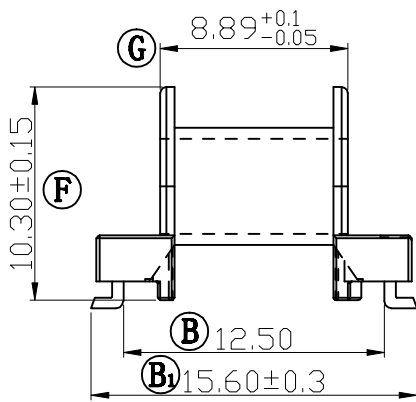
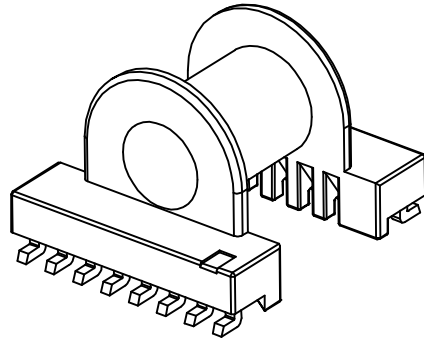
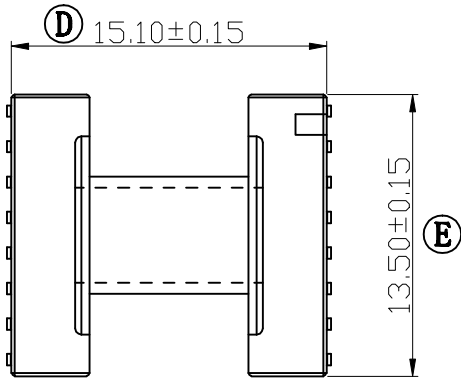


Build up your trust



TITLE: BOBBIN EP-13 16PIN

DRAWING NO: GS-1304

TOLERANCES

0<L≤4 ±0.1  
4<L≤16 ±0.2  
16<L≤63 ±0.3

PIN PITCH  
±0.1

BOBBIN MATERIAL:  
PM9630

PIN MATERIAL:  
PHOSPHOR BRONZE

UL REC.  
UL 94V-0

PIN TENSION LOAD:  
1.0KG MIN



建信電子制品有限公司

GEMSTONE ELECTRONIC PRODUCTS CO., LTD.

ADD: 廣東省東莞市石排鎮石崇大道

TEL: (0769) 86514918, 86514919 FAX: 86514878

UNIT:  
MM

SCALE:  
3/1

ANGLE:  
±1°

DATE:  
2010/10/14

REV:  
A2

DRAWN:  
L. W

CHECK:  
XU ZHAN

APPROVED:  
XU ZHAN

REV.	PORTION.	BEFORE REV.	AFTER REV.