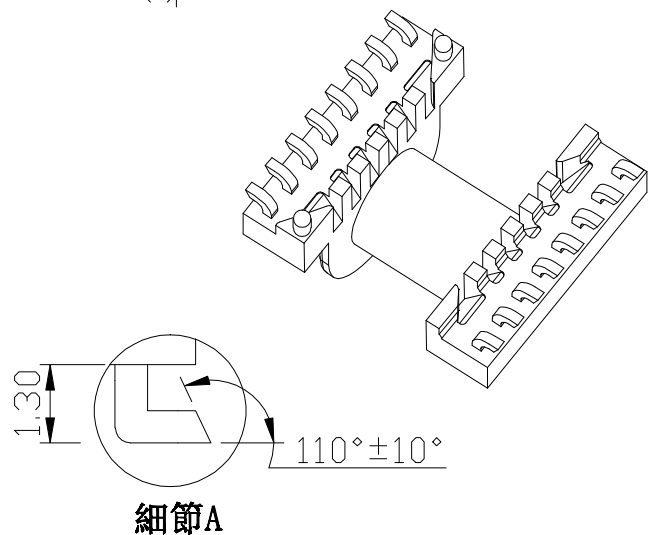
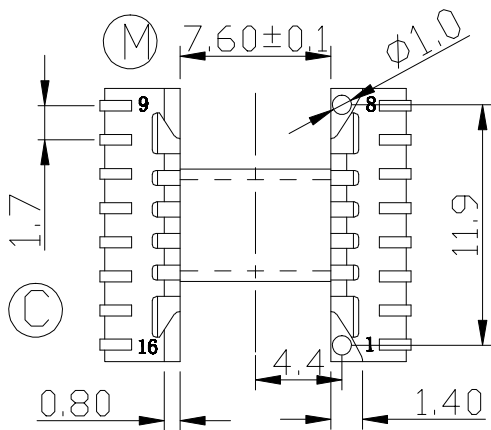
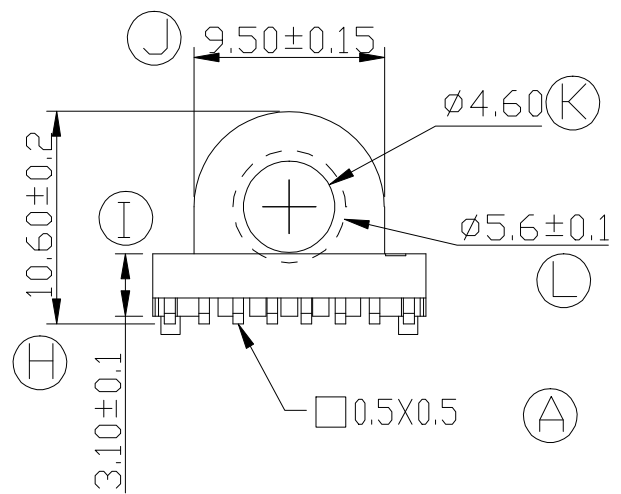
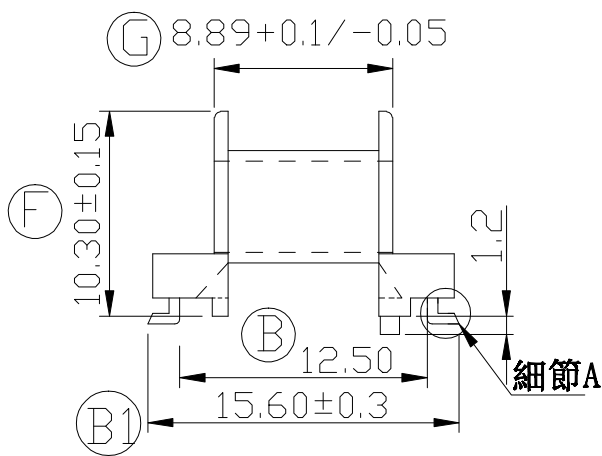
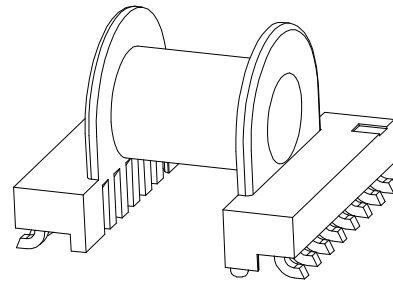
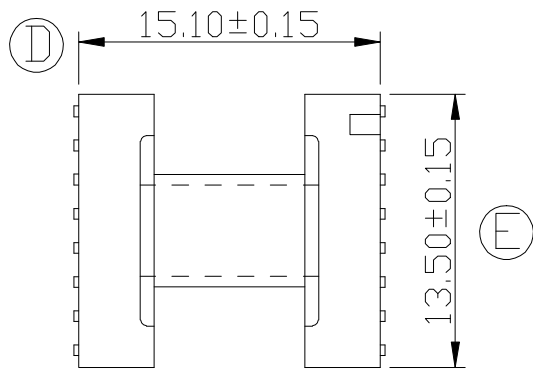



Build up your trust



TITLE:	BOBBIN EP-13	TOLERANCES		BOBBIN MATERIAL:	UL REC.
DRAWING NO:	GS-1304-2	.X ±0.15	PIN PITCH ±0.2	AM113	UL 94V-0
 建信電子制品有限公司 GEMSTONE ELECTRONIC PRODUCTS CO., LTD.		.XX ±0.10	UNIT: MM	PIN MATERIAL:	PIN TENSION LOAD:
		.XXX ±0.05		SCALE: 3/1	PHOSPHOR BRONZE
ADD: 廣東省東莞市石排鎮石崇大道 TEL: (0769)86514918, 86514919 FAX:86514878		UNIT: MM	SCALE: 3/1	ANGLE: ±1°	DATE: 2011/02/15
		DRAWN: XU ZHAN		CHECK: XU ZHAN	REV: A0

REV.	PORTION.	BEFORE REV.	AFTER REV.