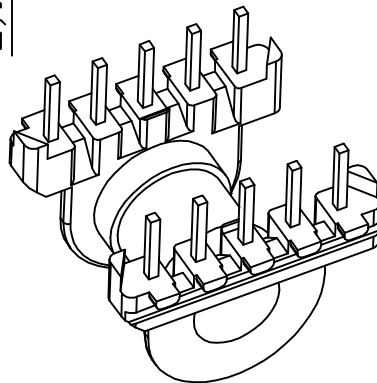
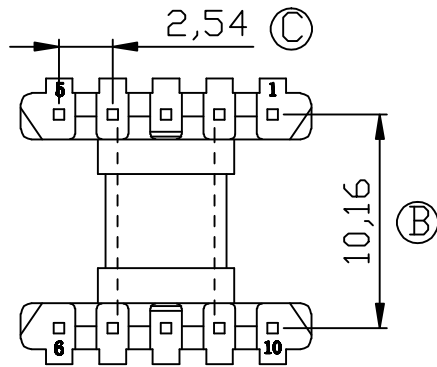
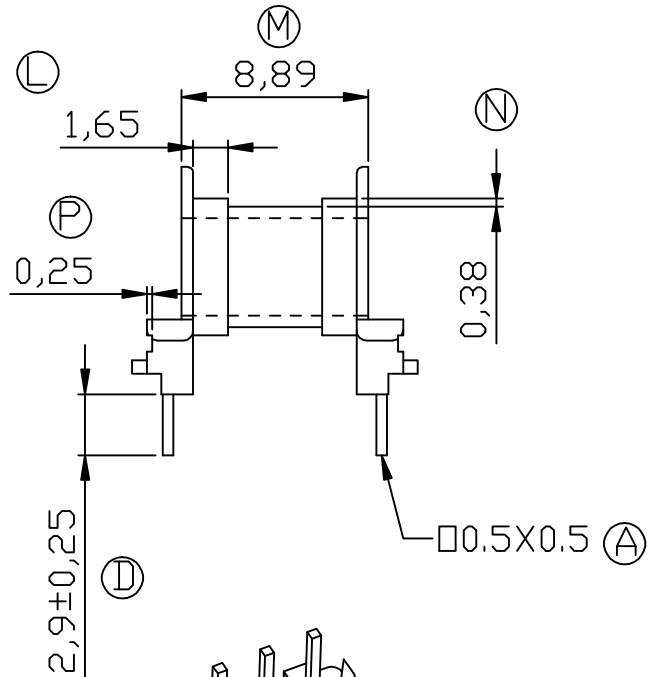
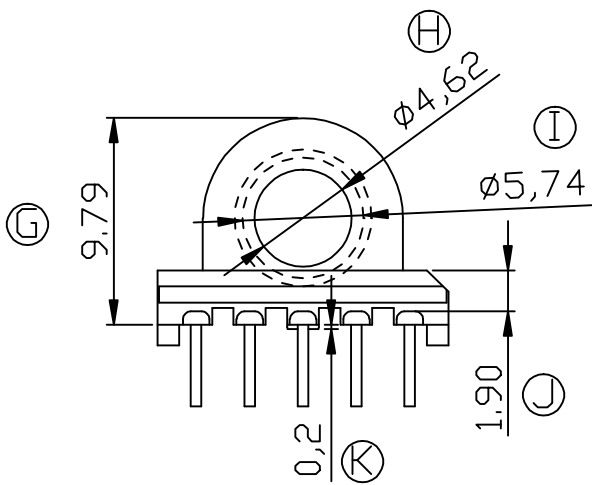
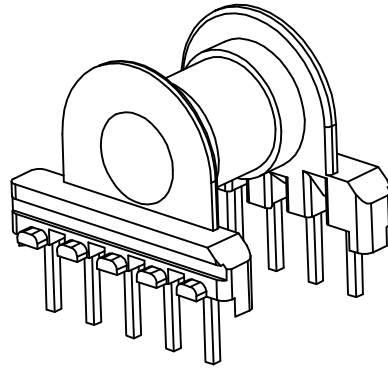
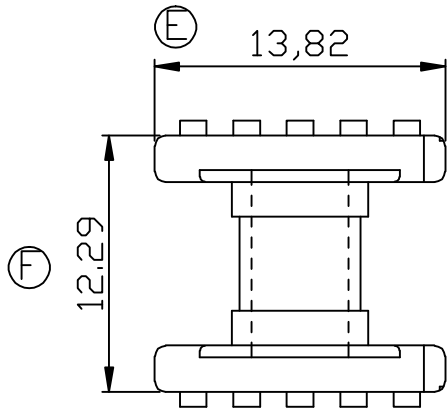


Build up your trust



TITLE:	EP-13 10PIN	TOLERANCES		BOBBIN MATERIAL:	UL REC.
DRAWING NO:	GS-1305	0<L≤4 ±0.1	PIN PITCH ±0.2	PHENOLIC DAP AM-113	UL 94V-0
 建信電子制品有限公司 GEMSTONE ELECTRONIC PRODUCTS CO., LTD. ADD: 廣東省東莞市石排鎮石崇大道 TEL: (0769)86514918, 86514919 FAX:86514878		4<L≤16 ±0.2		PIN MATERIAL:	PIN TENSION LOAD:
		16<L≤63 ±0.3		PHOSPHOR BRONZE	0.7KG MIN
UNIT:	MM	SCALE:	3/1	ANGLE:	±1°
		DRAWN:	HZP	DATE:	2004/8/16
		CHECK:	XU ZHAN	REV:	A1
		APPROVED:			

REV.	PORTION.	BEFORE REV.	AFTER REV.